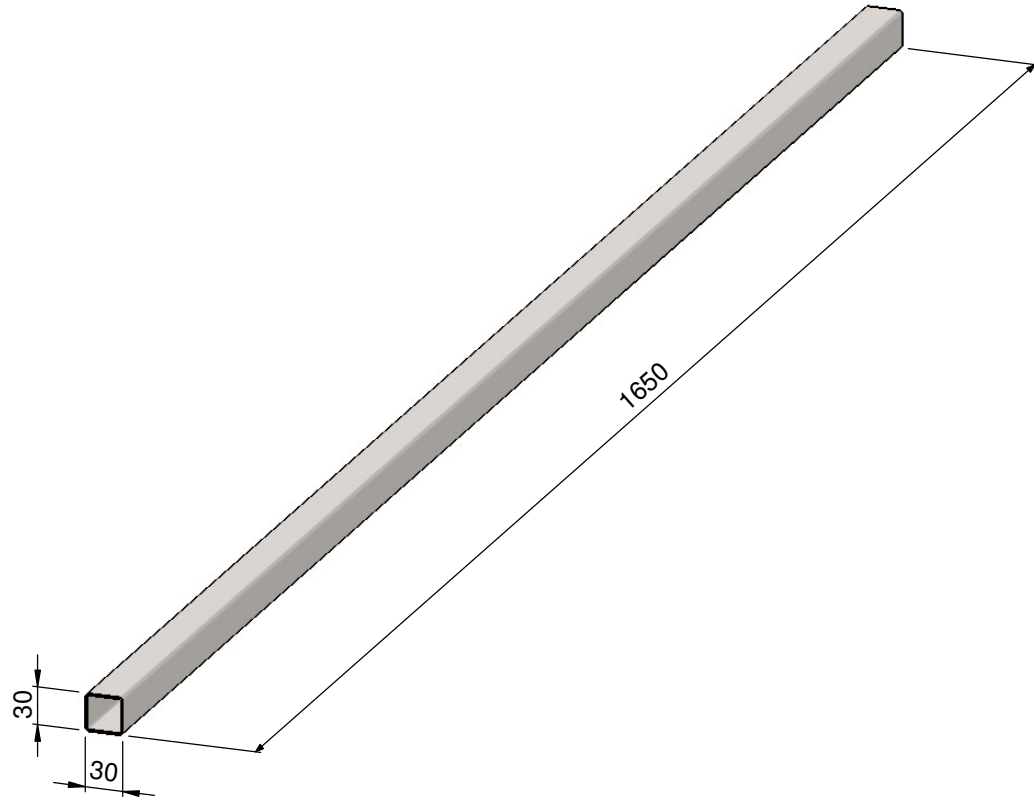


1
2
3
4
5
6
7
8
1119

ALL DIMENSIONS IN MILLIMETRES
REMOVE ALL SHARP EDGES

THIRD ANGLE PROJECTION
DO NOT SCALE DRAWING



3	13/1/16	ISSUED FOR MANUFACTURE	GC		
2	26/2/14	ISSUED FOR MANUFACTURE	GC		
REV	DATE	DESCRIPTION	DRN	CHKD	APPR

TOLERANCES - UNLESS STATED OTHERWISE	
UNTOLERANCED DIMENSIONS	+/- 2mm
CUTTING LENGTHS	+/- 2mm
FABRICATION	UP TO 300mm +/- 1mm
	UP TO 1000mm +/- 2mm
	1001mm & ABOVE +/- 3mm
	ANGULAR +/- 1°
MACHINING	+/- 0.2mm
GAUGE	+/- 10%
WEIGHT	+/- 10% (DUE TO MATERIAL PROPERTIES & TOLERANCES)

TITLE: WINDBREAKER BOTTOM TUBE			
NAME	SIGNATURE	DATE	MATERIAL:
G. CRICK		31/10/11	CARBON STEEL PRE-GALVANISED
CHK'D			
FINISH: NONE			

	GENERATION HIRE & SALE SCAFFOLDING & ACCESS	
	Drw / Stockcode No. 16552097	Revision 3

THE COMPANY RETAIN THE RIGHT TO PERIODICALLY ALTER INFORMATION WITHIN THIS DRAWING SHEET AND WILL ATTEMPT TO NOTIFY ALL PARTIES CONCERNED OF ANY CHANGES AND THE INFORMATION ON THIS SHEET SHOULD NOT BE REPRODUCED WITHOUT THEIR WRITTEN CONSENT.