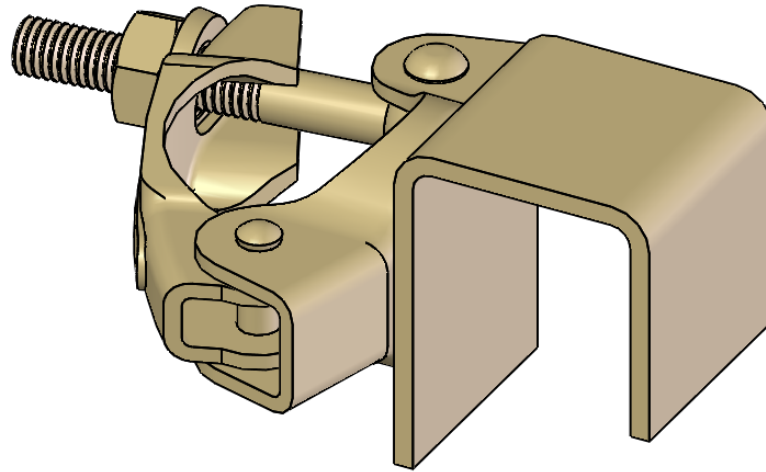


1
ALL DIMENSIONS IN MILLIMETRES
REMOVE ALL SHARP EDGES

8
THIRD ANGLE PROJECTION
DO NOT SCALE DRAWING



5	1/9/15	ISSUED FOR MANUFACTURE	GC	.	.
4	25/2/14	ISSUED FOR MANUFACTURE	GC	.	.
REV	DATE	DESCRIPTION	DRN	CHKD	APPR

TOLERANCES - UNLESS STATED OTHERWISE	
UNTOLERANCED DIMENSIONS	+/- 2mm
CUTTING LENGTHS	+/- 2mm
FABRICATION	UP TO 300mm +/- 1mm
	UP TO 1000mm +/- 2mm
	1001mm & ABOVE +/- 3mm
	ANGULAR +/- 1°
MACHINING	+/- 0.2mm
GAUGE	+/- 10%
WEIGHT	+/- 10% (DUE TO MATERIAL PROPERTIES & TOLERANCES)

TITLE: **SCAFFOLD 2 HOARD COUPLER DK90**

NAME	SIGNATURE	DATE
G. CRICK		29/1/8
CHK'D		

FINISH: **ELECTRO-PLATE COLOUR: GOLD**

MATERIAL: **CARBON STEEL**



GENERATION HIRE & SALE SCAFFOLDING & ACCESS

Drw / Stockcode No.	Revision
17852531	5

EURO **Schelle für geschlossene Zäune - 1102**

THE COMPANY RETAIN THE RIGHT TO PERIODICALLY ALTER INFORMATION WITHIN THIS DRAWING SHEET AND WILL ATTEMPT TO NOTIFY ALL PARTIES CONCERNED OF ANY CHANGES AND THE INFORMATION ON THIS SHEET SHOULD NOT BE REPRODUCED WITHOUT THEIR WRITTEN CONSENT.

WAS 17852831