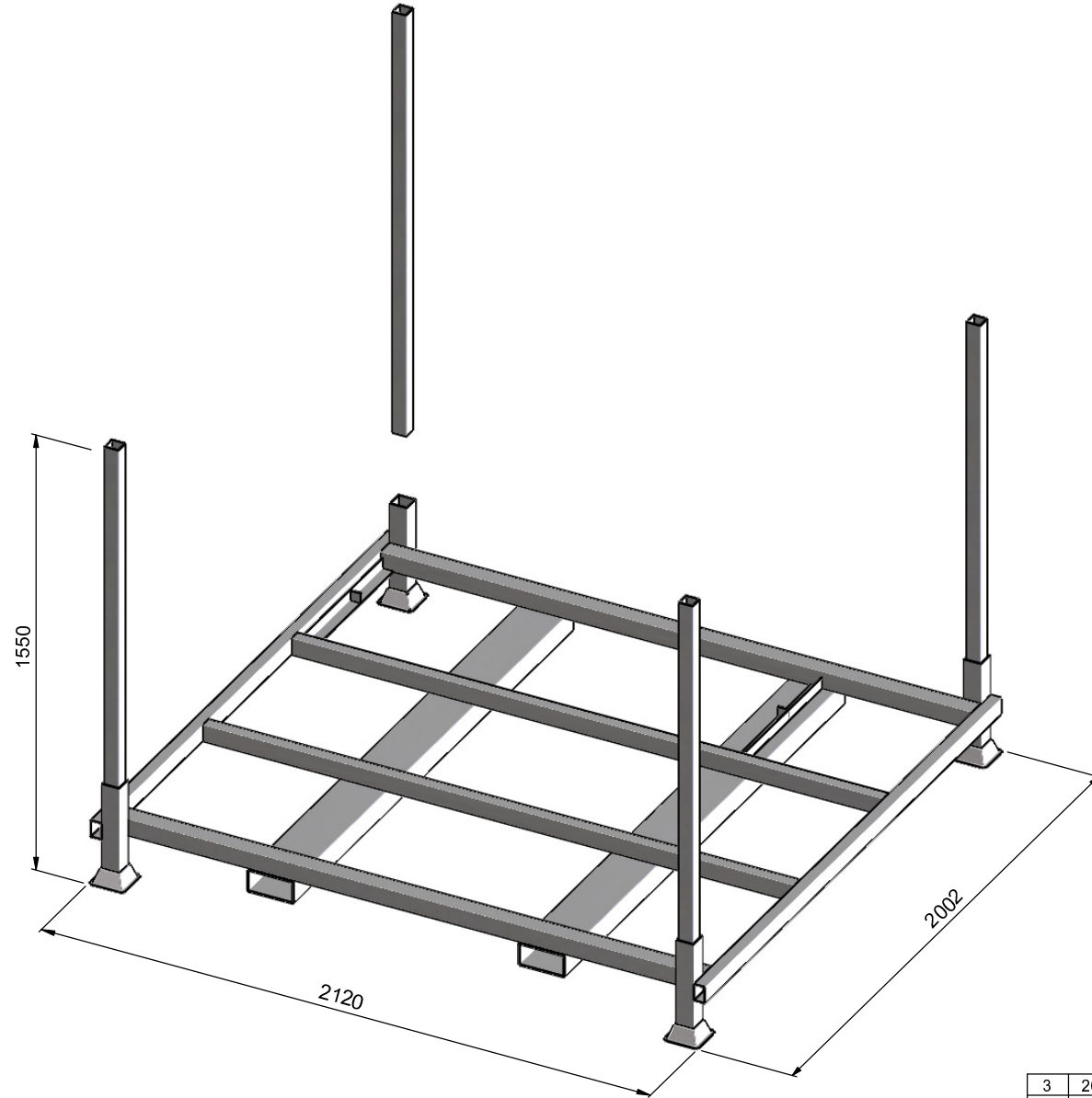


ALL DIMENSIONS IN MILLIMETRES  
REMOVE ALL SHARP EDGES

THIRD ANGLE PROJECTION  
DO NOT SCALE DRAWING



3	26/2/14	ISSUED FOR MANUFACTURE	GC	.	.
2	13/3/12	ISSUED FOR MANUFACTURE	GC	.	.
REV	DATE	DESCRIPTION	DRN	CHKD	APPR

TOLERANCES - UNLESS STATED OTHERWISE	
UNTOLERANCED DIMENSIONS	+/- 2mm
CUTTING LENGTHS	+/- 2mm
FABRICATION	
UP TO 300mm	+/- 1mm
UP TO 1000mm	+/- 2mm
1001mm & ABOVE	+/- 3mm
ANGULAR	+/- 1°
MACHINING	+/- 0.2mm
GAUGE	+/- 10%
WEIGHT	+/- 10% (DUE TO MATERIAL PROPERTIES & TOLERANCES)

TITLE: <b>HOARDING STILLAGE BLACK (HEAVY DUTY)</b>			
NAME	SIGNATURE	DATE	MATERIAL:
G. CRICK		4/6/8	CARBON STEEL
FINISH:	NONE		

**GENERATION  
HIRE & SALE  
SCAFFOLDING  
& ACCESS**

Drw / Stockcode No.	Revision
<b>17851031</b>	<b>3</b>

EURO TG30 Gestell für Zaun geschlossen für 30 Stück - 1121

THE COMPANY RETAIN THE RIGHT TO PERIODICALLY ALTER INFORMATION WITHIN THIS DRAWING SHEET AND WILL ATTEMPT TO NOTIFY ALL PARTIES CONCERNED OF ANY CHANGES AND THE INFORMATION ON THIS SHEET SHOULD NOT BE REPRODUCED WITHOUT THEIR WRITTEN CONSENT.

WEIGHT: 150 Kg

SCALE: 1:15

SHEET 1 OF 11

A3