

# GENERATION

## Timber Frame Solutions Edge Protection Installation Guide

LW/01.19



Generation UK Ltd  
Trinity Street, Off Tat Bank Road,  
Oldbury, West Midlands, B69 4LA  
Tel: 0800 779 7113  
Email: [enquiries@generationuk.co.uk](mailto:enquiries@generationuk.co.uk)  
[www.generationuk.co.uk](http://www.generationuk.co.uk)

# **GENERATION SCAFFOLDING AND ACCESS SUPPORT FOR CONSTRUCTION AND INDUSTRY**

Generation is the largest UK supplier of access, scaffolding, safety and training products.

Our customer promise is to deliver the:

## **BEST QUALITY**

We work in partnership with our suppliers to ensure we deliver consistent quality every time. We guarantee that our hire and sales products will meet and conform or exceed all statutory requirements and not let you down.

## **BEST AVAILABILITY**

We have the largest available UK inventory of scaffolding, access and safety products. Our branch network and delivery fleet will ensure that we deliver what you need, when you need it.

## **BEST PARTNERSHIP**

We provide a full range of engineering, design and business services to partner and work with our customers. Talk to us today about how we can help you to grow your business.

## **BEST PRICES**

We use our position as the largest UK supplier of scaffolding products to negotiate the best rates for you. We guarantee you will get the best value products and service when you hire or buy from us.

### **Disclaimer**

Whilst Generation (UK) Ltd has taken every reasonable effort to ensure the information contained within this publication is correct and complete at the time of printing, you should be aware that there will be periodical changes and Generation (UK) Ltd does not accept any liability for any inconvenience, loss or damage caused as a result of any inaccuracy or omission within this publication.

### **Copyright**

No unauthorised reproduction of any images, text or other matter contained herein is permitted. All rights are expressly reserved, including copyright, design right, moral and patent rights (where applicable). We reserve the right to take legal action in respect of any infringement of said rights.

# Contents

## Timber Solutions

Examples of Timber Edge Protection Solutions.....	4
Dual Purpose Stand Installation Guide.....	5-7
Timber Socket Base Installation Guide.....	8-11
Adapter faceplate Installation Guide.....	12-13
Uni. Facemount Bracket.....	14-17
Standard Support Post Installation Guide.....	18-19
EP Panel.....	19-27

A member of



Manufactured by



# EXAMPLES OF TIMBER EDGE PROTECTION SOLUTIONS



# DUAL PURPOSE STAND - TIMBER INSTALLATION GUIDE

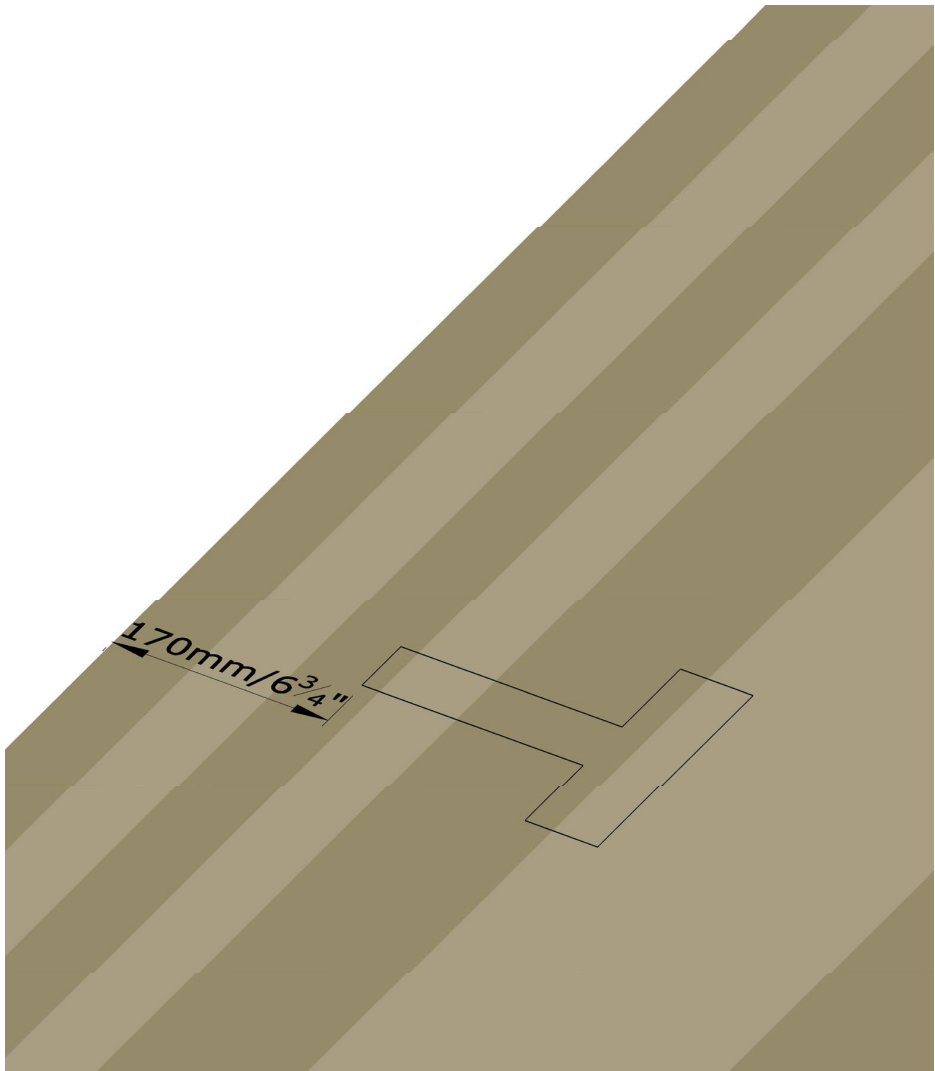
---

**450008**  
DUAL PURPOSE STAND



# DUAL PURPOSE STAND - TIMBER

---

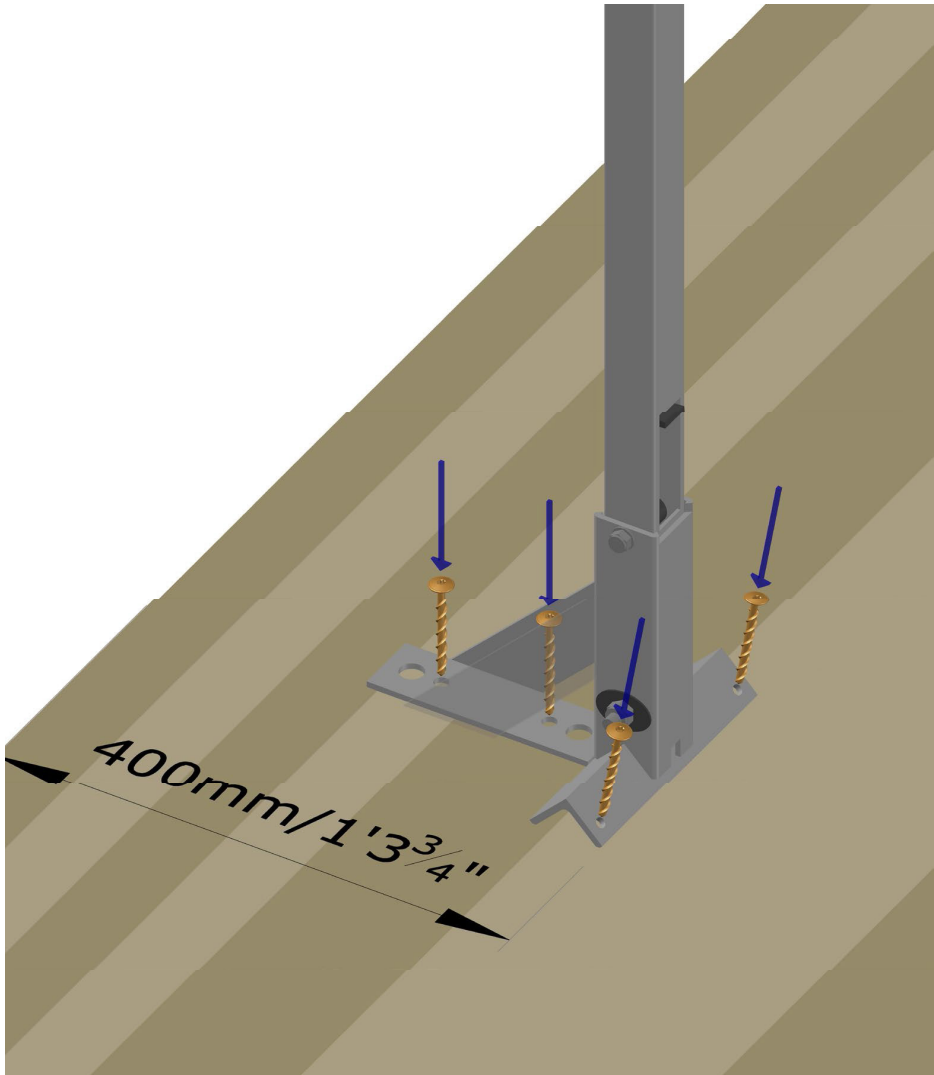


## **CROSS LAMINATED TIMBER (CLT) - STEP 1:**

Place dual purpose stand at least 170mm/ 6<sup>3</sup>/<sub>4</sub>" back from the edge of the clt slab.

# DUAL PURPOSE STAND - TIMBER

**IMPORTANT:** Disassembly process must follow the instructions in reverse order. Improper installation or removal could result in serious injury or death.

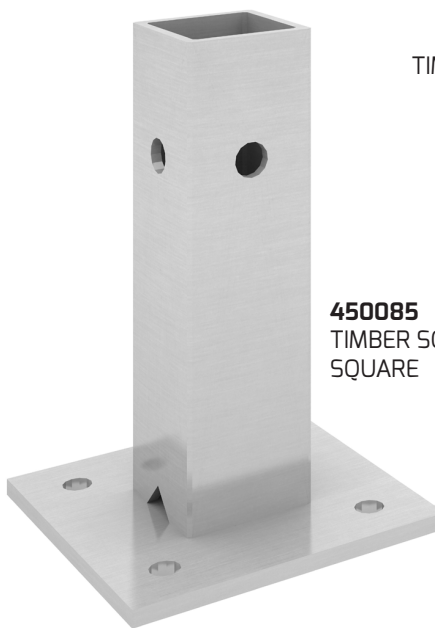


## **CROSS LAMINATED TIMBER (CLT) - STEP 2:**

Screw 4no.  $\varnothing 8 \times 80\text{mm}/3\frac{1}{8}"$  heco-topix wood screws through the smaller holes.

# TIMBER SOCKET BASE INSTALLATION GUIDE

---



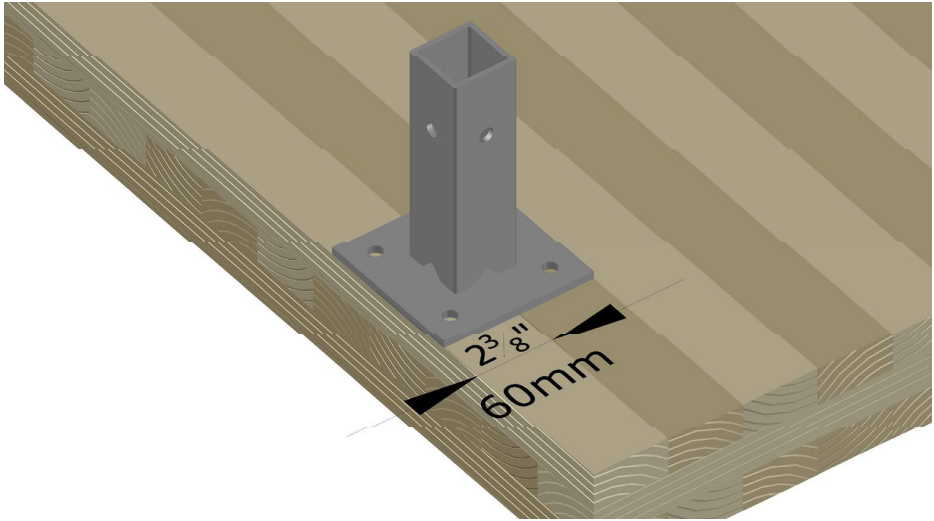
**450085**  
TIMBER SOCKET BASE  
SQUARE

**450086**  
TIMBER SOCKET BASE  
TRIANGULAR

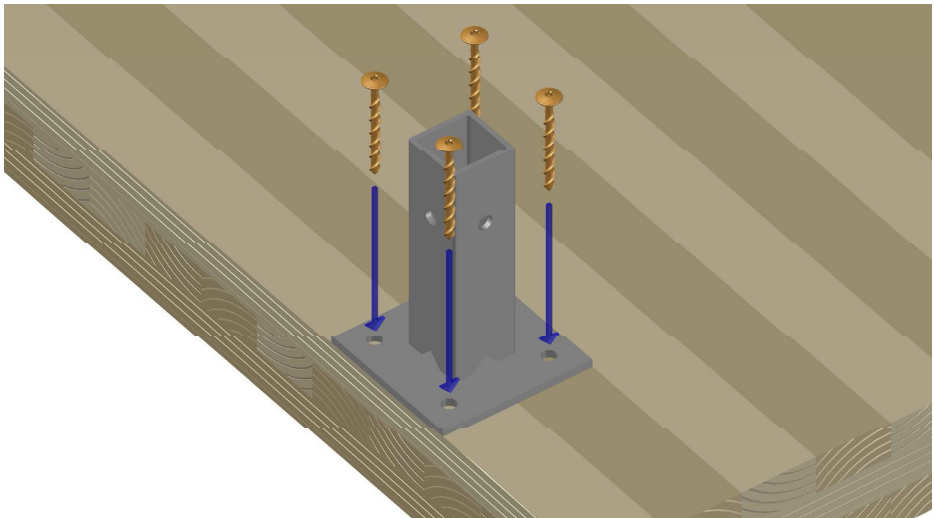




# TIMBER SOCKET BASE - FLOOR INSTALLATION GUIDE

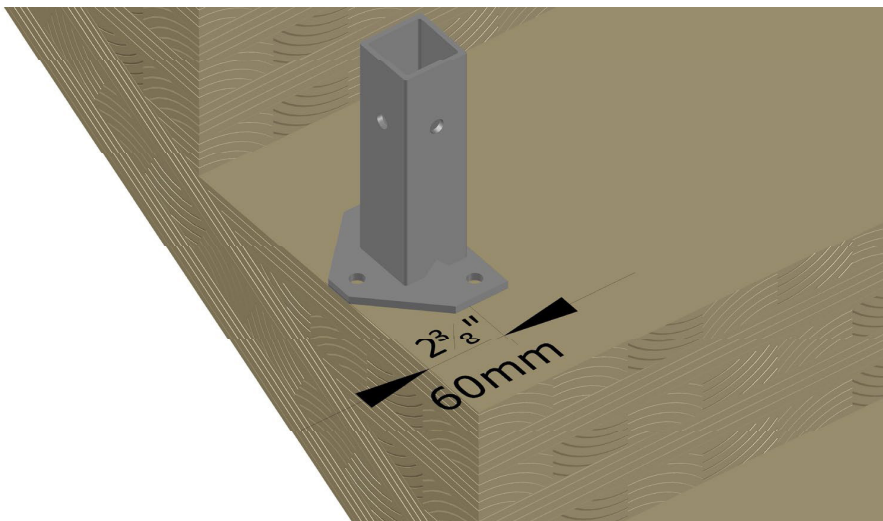


**STEP 1:** Place center of timber socket base 60mm/2<sup>3</sup>/<sub>8</sub>" back from the floor edge.

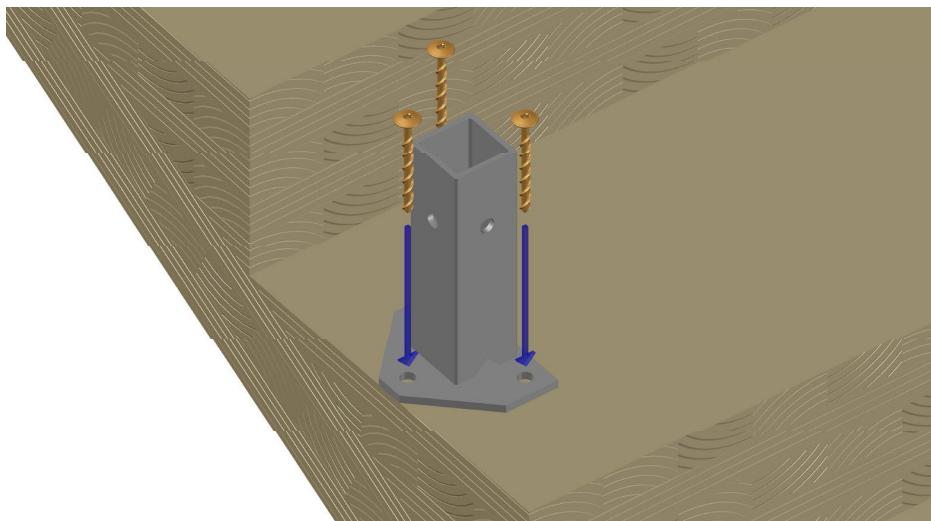


**STEP 2:** Fix timber socket base using 4no. Ø8/3/8 x 80mm/3 1/8" heco topix screw.

# TIMBER SOCKET BASE - STAIR INSTALLATION GUIDE

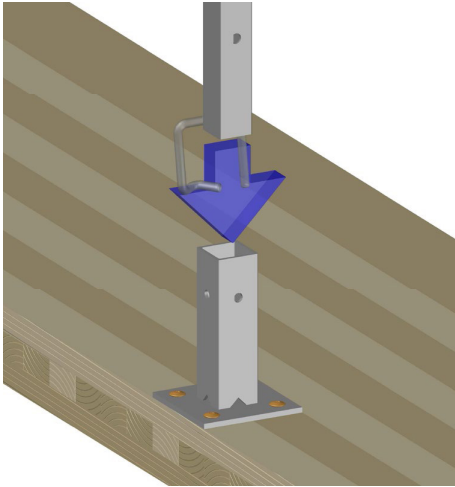


**STEP 1:** Place center of timber socket base 60mm/2<sup>3</sup>/<sub>8</sub>" back from the floor edge with the "arrow" shape pointing outwards.

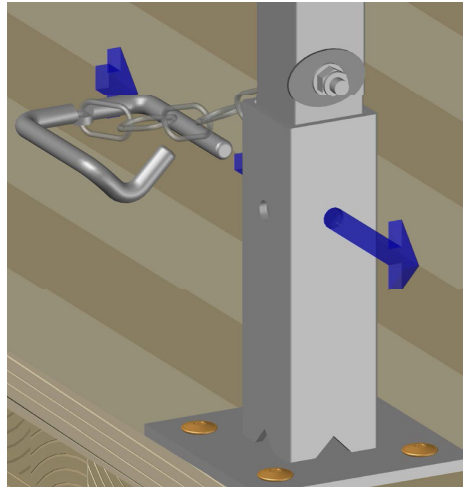


**STEP 2:** Fix timber socket base using 3no. Ø8<sup>3</sup>/<sub>8</sub> x 80mm/3<sup>1</sup>/<sub>8</sub>" heco topix screw.

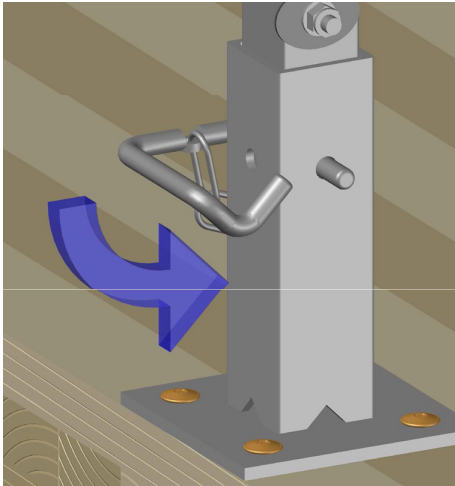
# STANDARD SUPPORT POST INSTALLATION GUIDE



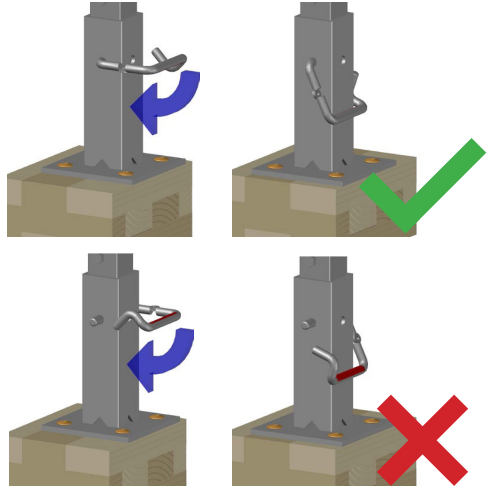
**STEP 1:** Place post into socket base.



**STEP 2:** Push pin through socket base and post.



**STEP 3:** Rotate pin into locked position.

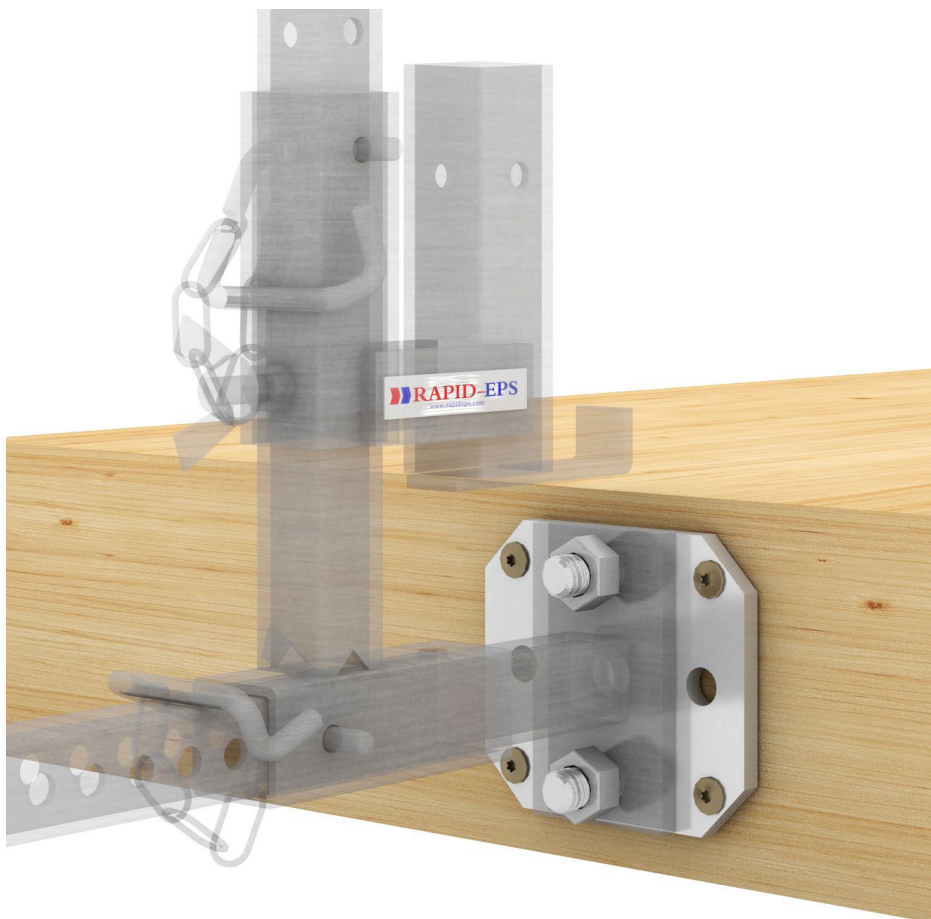


**IMPORTANT NOTE:** The pin has a red “lock” sticker. this stickershould be hidden when pin is correctly installed.

**IMPORTANT:** Disassembly process must follow the instructions in reverse order. Improper installation or removal could result in serious injury or death.

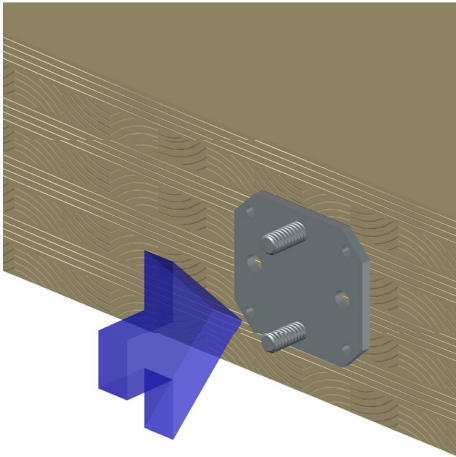
# ADAPTER FACEPLATE - TIMBER INSTALLATION GUIDE

---

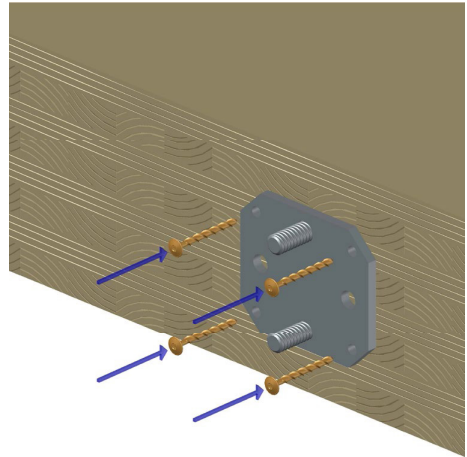


**450034**  
ADAPTER FACEPLATE

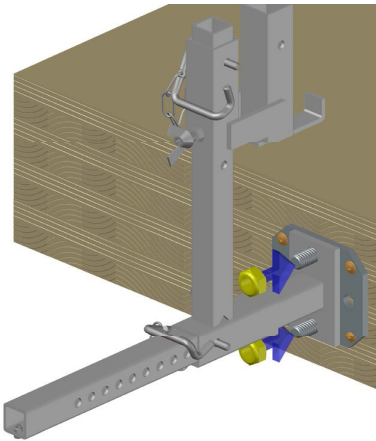
# ADAPTER FACEPLATE - TIMBER INSTALLATION GUIDE



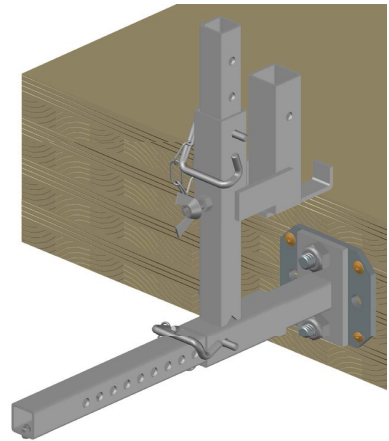
**STEP 1:** Hold adapter faceplate in place against clt edge.



**STEP 2:** Screw 4no.  $\varnothing 8\text{mm}/1/4''$  x140mm/5 $1/2''$  heco-topix wood screws.



**STEP 3:** Place webfix bracket on faceplate and secure using nuts.



**STEP 4:** Remove rapid pins and loosen wingnuts to index webfix bracket.

# UNI. FACEMOUNT BRACKET - TIMBER INSTALLATION GUIDE

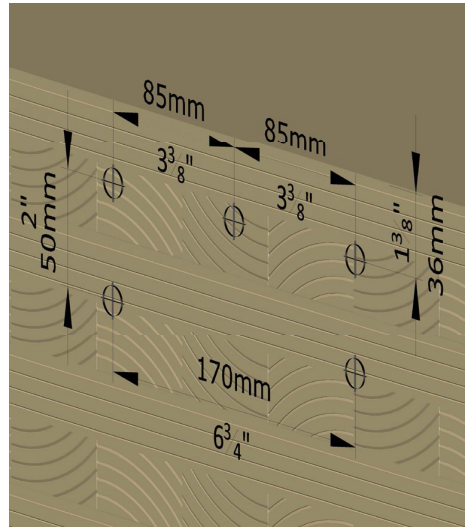
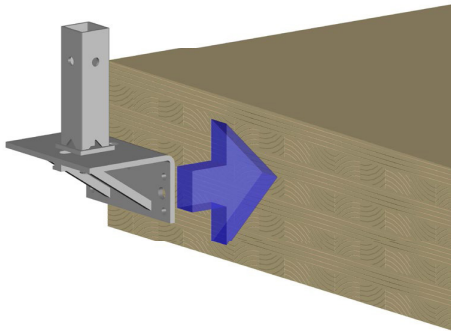
---

**450089**  
UNIVERSAL FACEMOUNT  
BRACKET

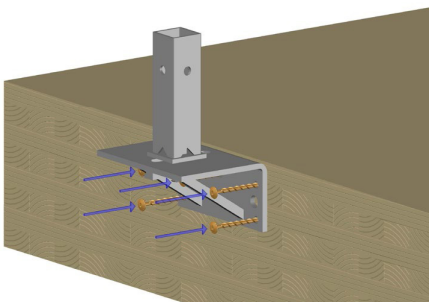
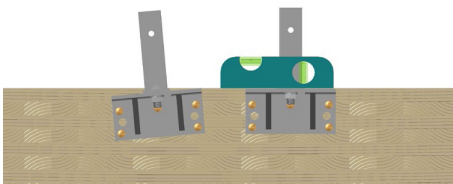




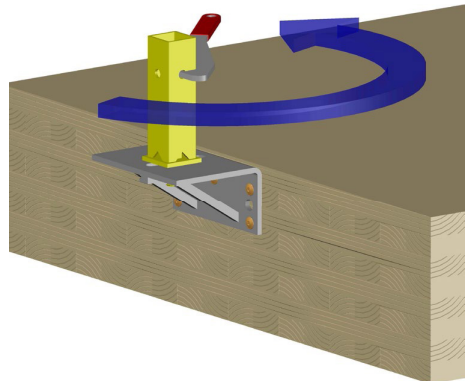
# UNI. FACEMOUNT BRACKET INSTALLATION GUIDE



**STEP 1:** Hold facemount bracket in place against clt edge.



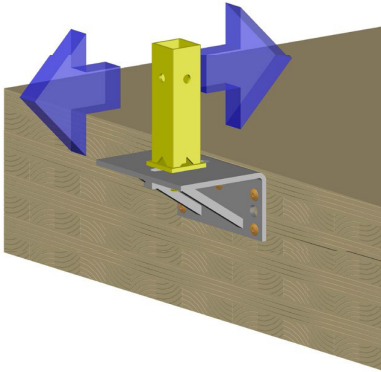
**STEP 2:** Screw 5no. Ø8mm/1/4" x140mm/5 1/2" heco-topix wood screws.



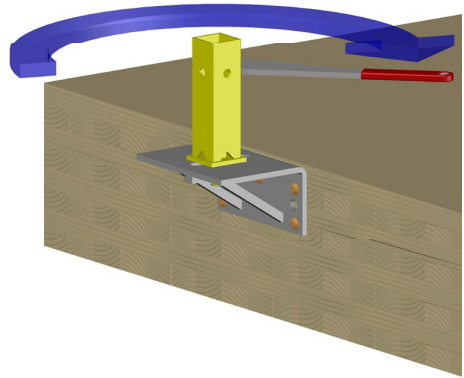
**STEP 3:** To adjust position of socket base, hold nut in place and unscrew socket base with socket base wrench.

# UNI. FACEMOUNT BRACKET INSTALLATION GUIDE

**IMPORTANT:** Disassembly process must follow the instructions in reverse order. Improper installation or removal could result in serious injury or death.



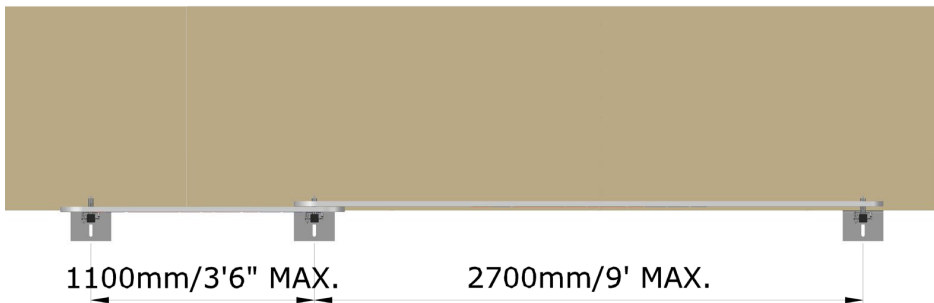
**STEP 4:** Adjust socket base to suit.



**STEP 5:** Tighten socket base with socket base wrench.

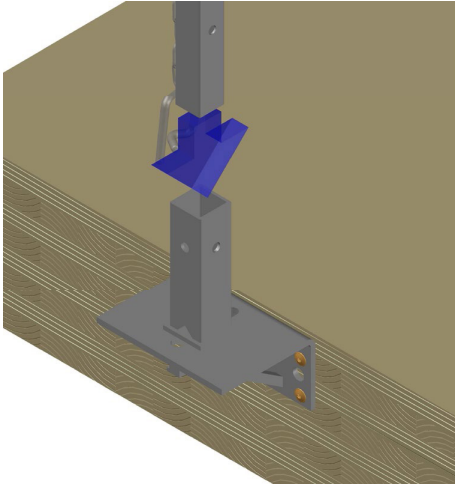
## UNI. FACEMOUNT BRACKET SPACING

Universal facemount brackets should be set out at no more than 1100mm/3'6" centers for half panels and 2700mm/9' centers for full panels.

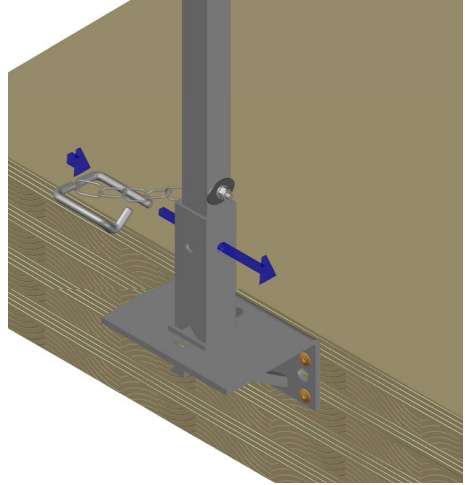




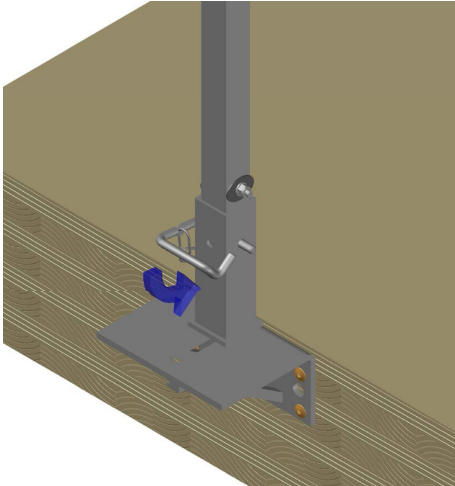
# STANDARD SUPPORT POST INSTALLATION GUIDE



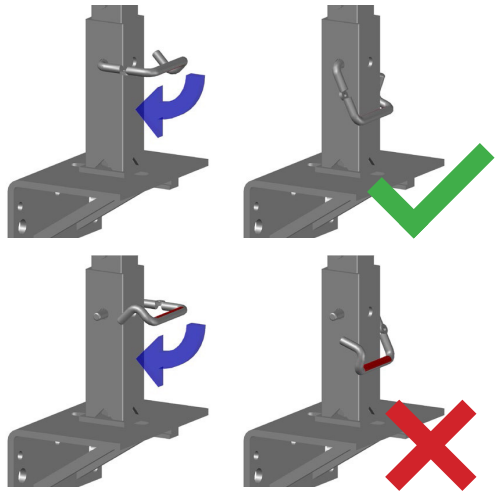
**STEP 1:** Place post into socket base.



**STEP 2:** Push pin through socket base and standard support post.



**STEP 3:** Rotate pin into locked position.



**IMPORTANT NOTE:** The pin has a red “lock” sticker. this stickershould be hidden when pin is correctly installed.

**IMPORTANT:** Disassembly process must follow the instructions in reverse order. Improper installation or removal could result in serious injury or death.

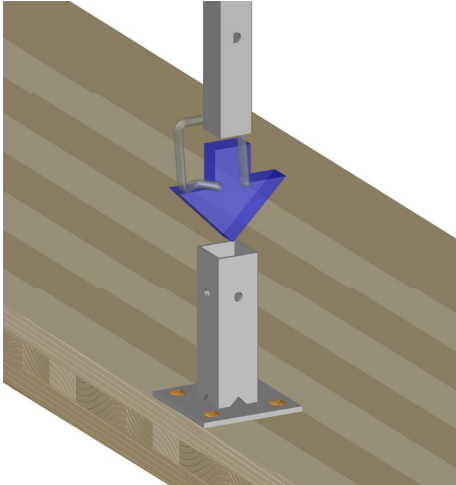
# STANDARD SUPPORT POST INSTALLATION GUIDE

---

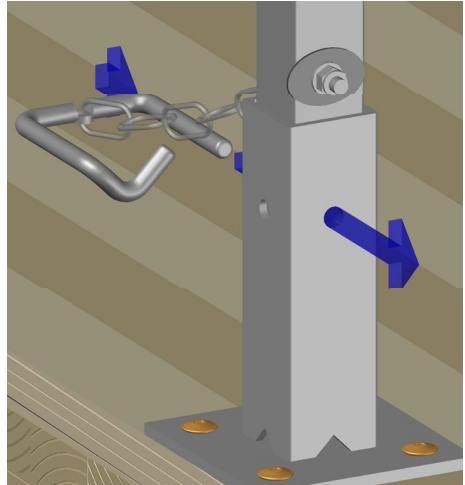
**450012**  
STANDARD SUPPORT  
POST



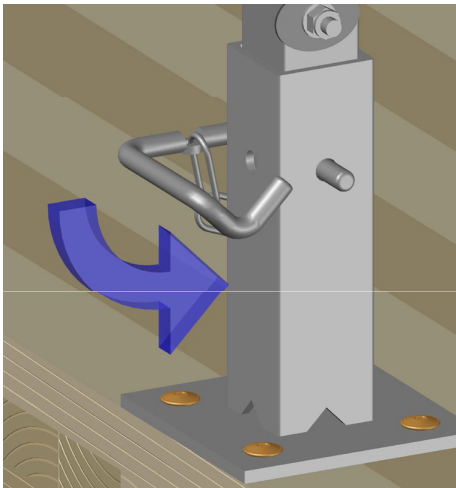
# STANDARD SUPPORT POST INSTALLATION GUIDE



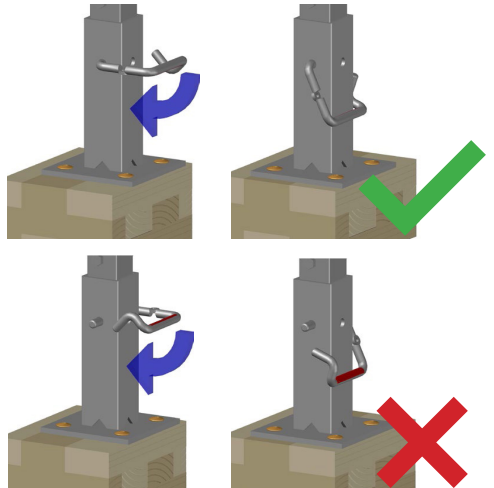
**STEP 1:** Place post into socket base.



**STEP 2:** Push pin through socket base and post.



**STEP 3:** Rotate pin into locked position.



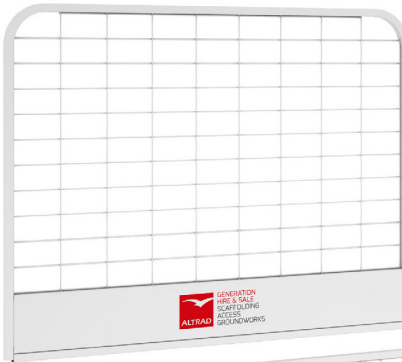
**IMPORTANT NOTE:** The pin has a red “lock” sticker. this stickershould be hidden when pin is correctly installed.

**IMPORTANT:** Disassembly process must follow the instructions in reverse order. Improper installation or removal could result in serious injury or death.

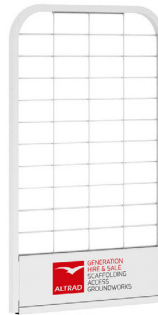
# EP PANELS INSTALLATION GUIDE

---

**450006**  
Half Panel  
1400mm/4'7"  
12kg/26.5lbs



**450064**  
Quarter panel  
655mm/2'2"  
9.5kgs/21lbs

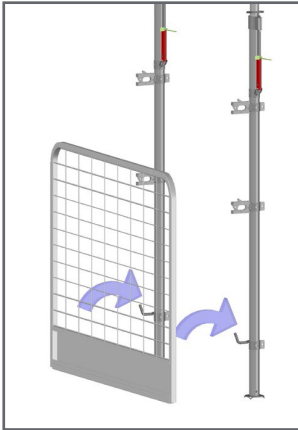


**450004**  
Full Panel  
2900mm/9'6"  
21.5kg/47lbs

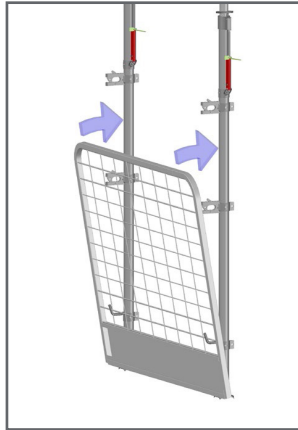
# SINGLE PANEL INSTALLATION GUIDE

For double height panels or higher, please see overleaf.

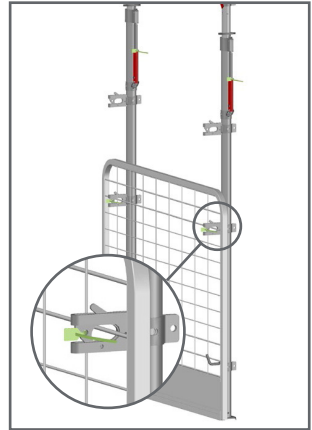
## Panel placement : RAPID-POST & EXTRA



**STEP 1:** Place bottom of panel on to low hook.

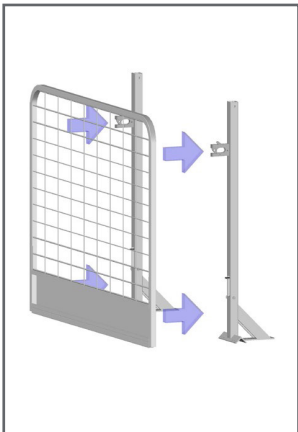


**STEP 2:** Place top of panel into latch.

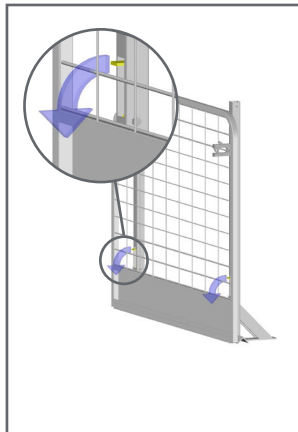


**STEP 3:** Secure latch with zip-tag (Optional).

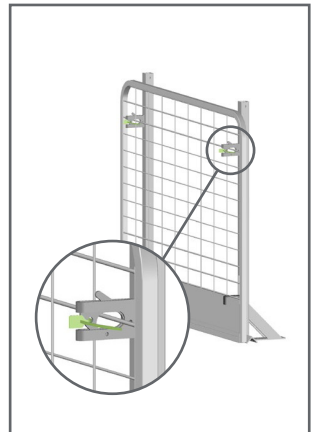
## Panel placement : DUAL PURPOSE STAND



**STEP 1:** Place panel into latch.



**STEP 2:** Drop post hook over bottom of panel.

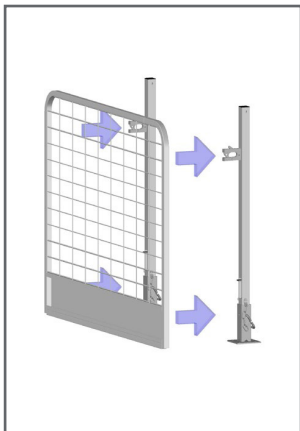


**STEP 3:** Secure latch with zip-tag (Optional).

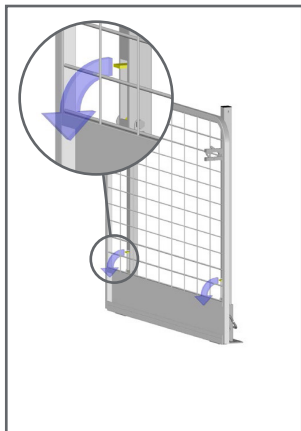
# SINGLE PANEL INSTALLATION GUIDE

**IMPORTANT:** Disassembly process must follow the instructions in reverse order. Improper installation or removal could result in serious injury or death.

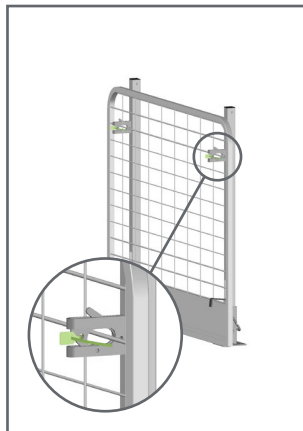
## Panel placement : STANDARD SUPPORT POST



**STEP 1:** Place panel into latch.

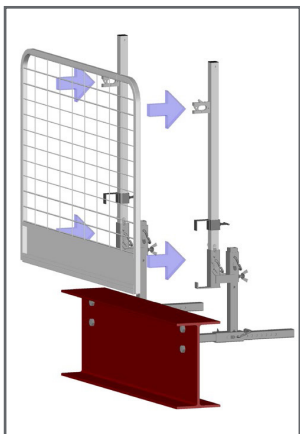


**STEP 2:** Drop post hook over bottom of panel.

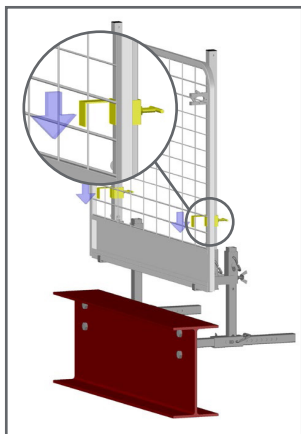


**STEP 3:** Secure latch with zip-tag (Optional).

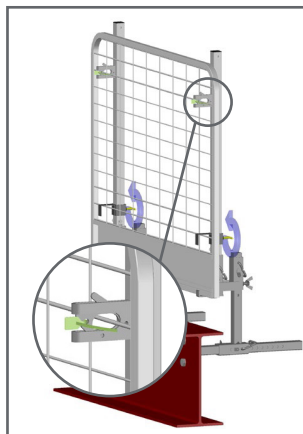
## Panel placement : STEEL FRAME POST



**STEP 1:** Place panel into latch.

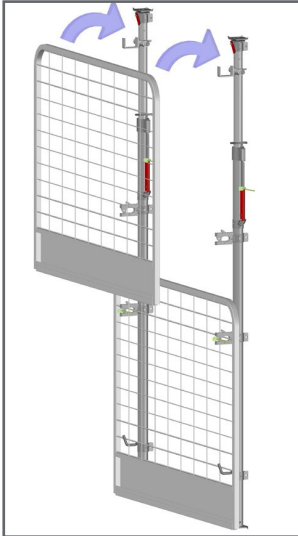


**STEP 2:** Lower post hook over panel.

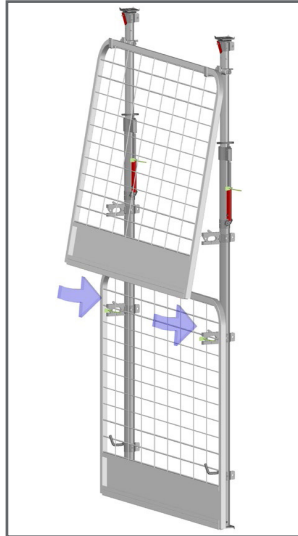


**STEP 3:** Secure latch with zip-tag (Optional).

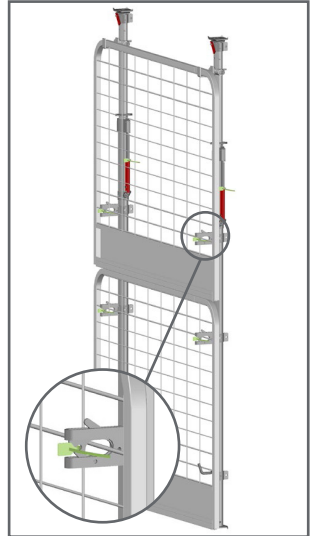
# DOUBLE HEIGHT INSTALLATION GUIDE



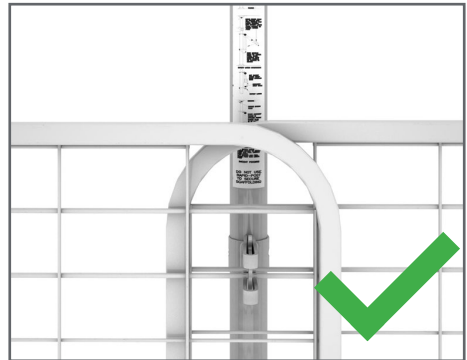
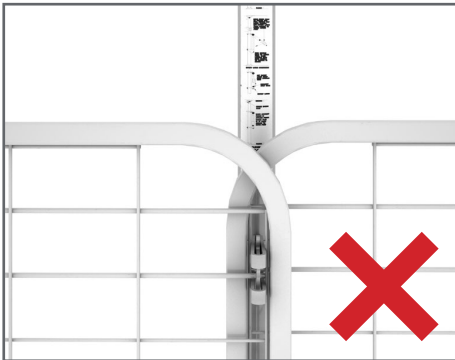
**STEP 1:** Place top of panel on to high hook.



**STEP 2:** Place bottom of panel in to latch.



**STEP 3:** Secure latch with zip-tag (Optional).



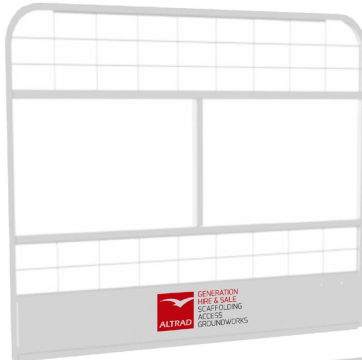
Panels **MUST** overlap by 1 full mesh aperture with maximum 2700mm/9'0" centres. (full panel).

**IMPORTANT:** Disassembly process must follow the instructions in reverse order.  
Improper installation or removal could result in serious injury or death.

# EP WORK THROUGH PANELS INSTALLATION GUIDE

---

**450121**  
Half Panel  
1400mm/4'7"  
13.5kgs/29.76lbs



**450111**  
Full Panel  
2900mm/9'6"  
26.5kgs/58.4lbs



# SINGLE PANEL INSTALLATION GUIDE

For double height panels or higher, please see overleaf.

## Panel placement : RAPID-POST & EXTRA



**STEP 1:** Place bottom of panel on to low hook.

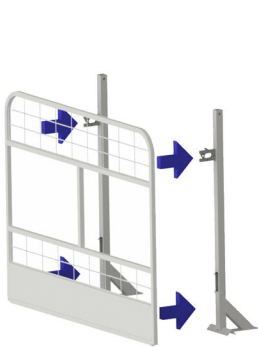


**STEP 2:** Place top of panel into latch.

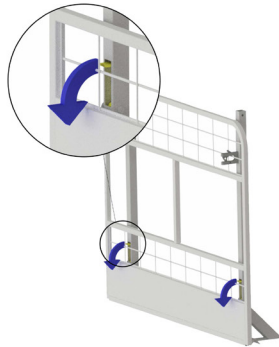


**STEP 3:** Secure latch with Zip-Tag. (Optional)

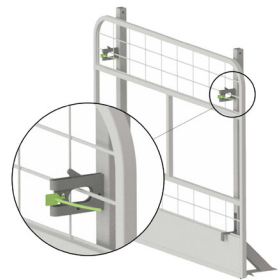
## Panel placement : DUAL PURPOSE STAND



**STEP 1:** Place panel into latch.



**STEP 2:** Drop post hook over bottom of panel.

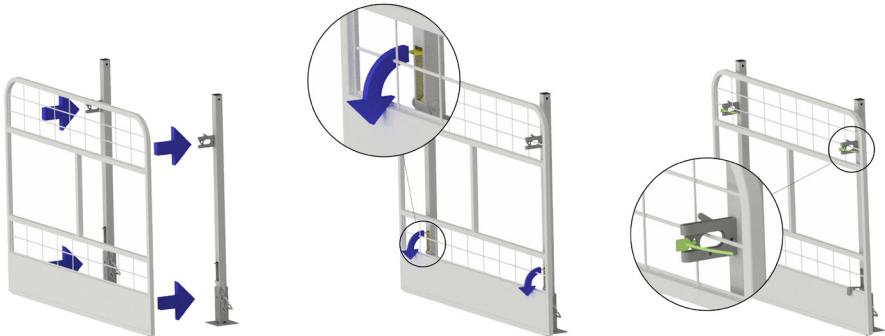


**STEP 1:** Secure latch with Zip-Tag. (Optional)

# SINGLE PANEL INSTALLATION GUIDE

**IMPORTANT:** disassembly process must follow the instructions in reverse order.  
improper installation or removal could result in serious injury or death.

## Panel placement : STANDARD SUPPORT POST

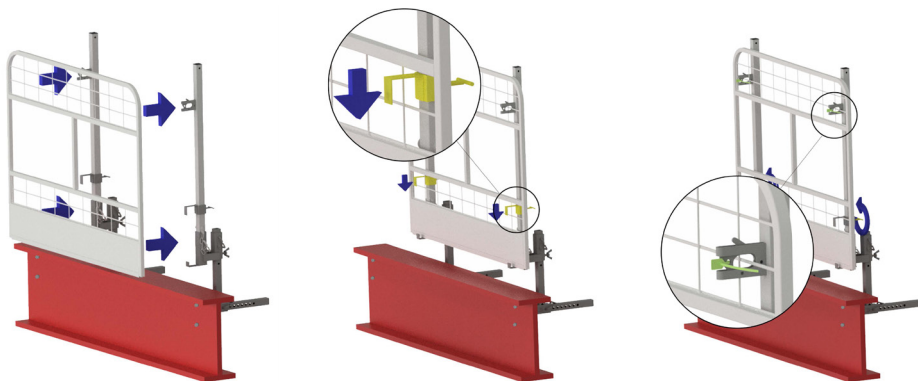


**STEP 1:** Place panel into latch.

**STEP 2:** Drop post hook over bottom of panel.

**STEP 3:** Secure latch with Zip-Tag. (Optional)

## Panel placement : STEEL FRAME POST



**STEP 1:** Place panel into latch.

**STEP 2:** Lower post hook over panel.

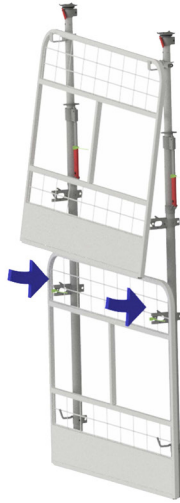
**STEP 1:** Secure latch with Zip-Tag. (Optional)

# DOUBLE HEIGHT INSTALLATION GUIDE

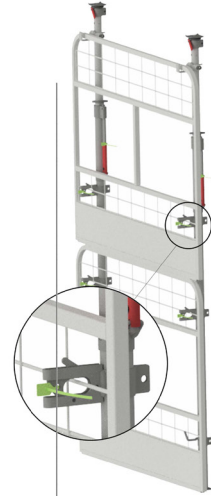
For double height or higher, ep latches and ep clamps must first be installed on rapid posts, see rapid latch and rapid clamp installation guide.



**STEP 1:** Place top of panel on to high hook.

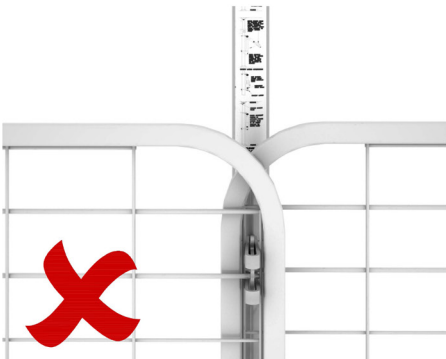


**STEP 2:** Place bottom of panel in to latch.



**STEP 3:** Secure latch with Zip-Tag. (Optional)

## Panel Continuation : OVERLAP



Hire and Sale Branches Freephone:

**0800 779 7113****Birmingham (West)**

Trinity Street Off Tat Bank Road,  
Oldbury, West Midlands, B69 4LA  
T: 0121 544 3355 F: 0121 544 3131  
E: [birmingham@generationuk.co.uk](mailto:birmingham@generationuk.co.uk)

**Birmingham (East) G**

87-93 Amington Road, Birmingham,  
West Midlands, B25 8ET  
T: 0121 706 0000 F: 0121 706 9832  
E: [birminghameast@generationuk.co.uk](mailto:birminghameast@generationuk.co.uk)

**Bristol**

Unit 7, 12-16 Foundry Lane, Fishponds,  
Bristol, B5 7UE  
T: 0117 972 4550 F: 0117 972 4502  
E: [bristol@generationuk.co.uk](mailto:bristol@generationuk.co.uk)

**Cardiff**

Martin Road, Tremorfa Industrial Estate  
Cardiff, CF24 5SD  
T: 029 2046 3835 F: 029 2046 3246  
E: [cardiff@generationuk.co.uk](mailto:cardiff@generationuk.co.uk)

**Edinburgh**

4 Westerton Road,  
East Mains Industrial Estate, Broxburn,  
West Lothian, EH52 5AU  
T: 01506 863 864 F: 01506 863 916  
E: [edinburgh@generationuk.co.uk](mailto:edinburgh@generationuk.co.uk)

**Frimley (West London)**

22-30 Sturt Road, Frimley Green  
Camberley, GU16 6HY  
T: 01252 838 696 F: 01252 837 614  
E: [frimley@generationuk.co.uk](mailto:frimley@generationuk.co.uk)

**Gateshead G**

Stoneygate Lane, Abbotsford Road,  
Felling, Gateshead, NE10 0EX  
T: 0191 469 7504 F: 0191 469 8237  
E: [gateshead@generationuk.co.uk](mailto:gateshead@generationuk.co.uk)

**Glasgow**

Duchess Road, Rutherglen  
Glasgow, G73 1AU  
T: 0141 647 6969 F: 0141 647 5851  
E: [glasgow@generationuk.co.uk](mailto:glasgow@generationuk.co.uk)

**Grays G**

Europa Business Park, Magnet Road,  
Grays, Essex, RM20 4DB  
T: 01375 312 120 F: 01375 386 844  
E: [grays@generationuk.co.uk](mailto:grays@generationuk.co.uk)

**Leeds**

Unit 2 Ledger Park, Haigh Park Road,  
Stourton, Leeds LS10 1RT  
T: 0113 277 8822 F: 0113 277 7545  
E: [leeds@generationuk.co.uk](mailto:leeds@generationuk.co.uk)

**London (East)**

Unit H, Hangman's Wood Ind Park,  
Stifford Road, South Ockendon,  
Essex, RM15 6RL  
T: 020 7473 6056 F: 01708 858 493  
E: [london@generationuk.co.uk](mailto:london@generationuk.co.uk)

**Newcastle**

Forward House, Portobello Road  
Portobello Industrial Estate, Birtley,  
Tyne and Wear, DH3 2SN  
T: 0191 492 1190 F: 0191 411 1148  
E: [newcastle@generationuk.co.uk](mailto:newcastle@generationuk.co.uk)

**Northampton**

Kingsfield Way, Dallington,  
Northampton, NN5 7QN  
T: 01604 580 444 F: 01604 580 487  
E: [northampton@generationuk.co.uk](mailto:northampton@generationuk.co.uk)

**Salsburgh G**

Duntilland Road, Shotts, Salsburgh,  
North Lanarkshire, ML7 4NZ  
T: 01698 870 200 F: 01698 870 159  
E: [salsburgh@generationuk.co.uk](mailto:salsburgh@generationuk.co.uk)

**Stockport**

Unit 4 Vauxhall Industrial Estate,  
Greg Street, Reddish,  
Stockport, SK5 7BR  
T: 0161 477 0131 F: 0161 477 7618  
E: [stockport@generationuk.co.uk](mailto:stockport@generationuk.co.uk)

**West Thurrock (East London)**

4 Riverside Ind. Park, Oliver Road,  
West Thurrock, RM20 3ED  
T: 020 7476 4760 F: 020 7476 3157  
E: [westthurrock@generationuk.co.uk](mailto:westthurrock@generationuk.co.uk)

**Widnes G**

Pitt Street, West Bank, Widnes,  
Cheshire, WA8 0TG  
T: 0151 420 3331 F: 0151 495 2298  
E: [widnes@generationuk.co.uk](mailto:widnes@generationuk.co.uk)

**Altrad Training Services**

Unit 20B Greens Industrial Park,  
Calder Vale Road, Wakefield, WF1 5PH  
T: 01924 370 640 F: 01924 377 530  
Freephone: 0800 587 5224  
E: [training@altraduk.co.uk](mailto:training@altraduk.co.uk)

**Generation Export**

Trinity Street, Off Tat Bank Road  
Oldbury, West Midlands, B69 4LA  
T: +44 (0) 121 543 2964  
E: [export@generationuk.co.uk](mailto:export@generationuk.co.uk)

**Generation UK Head Office**

Trinity Street, Off Tat Bank Road  
Oldbury, West Midlands, B69 4LA  
T: 0121 543 2950 F: 0121 543 2953  
E: [enquiries@generationuk.co.uk](mailto:enquiries@generationuk.co.uk)

**G** GROUNDWORKS

GENERATION UK Ltd  
Generation Head Office, Trinity Street, Off Tat Bank Road, Oldbury, West Midlands, B69 4LA - United Kingdom  
Tel. 0121 543 2950 - Fax. 0121 543 2953 - [enquiries@generationuk.co.uk](mailto:enquiries@generationuk.co.uk)  
[www.generationuk.co.uk](http://www.generationuk.co.uk)