

GENERATION

Stair Protection Solutions Edge Protection Installation Guide

LW/01.19



Generation UK Ltd
Trinity Street, Off Tat Bank Road,
Oldbury, West Midlands, B69 4LA
Tel: 0800 779 7113
Email: enquiries@generationuk.co.uk
www.generationuk.co.uk

GENERATION SCAFFOLDING AND ACCESS SUPPORT FOR CONSTRUCTION AND INDUSTRY

Generation is the largest UK supplier of access, scaffolding, safety and training products.

Our customer promise is to deliver the:

BEST QUALITY

We work in partnership with our suppliers to ensure we deliver consistent quality every time. We guarantee that our hire and sales products will meet and conform or exceed all statutory requirements and not let you down.

BEST AVAILABILITY

We have the largest available UK inventory of scaffolding, access and safety products. Our branch network and delivery fleet will ensure that we deliver what you need, when you need it.

BEST PARTNERSHIP

We provide a full range of engineering, design and business services to partner and work with our customers. Talk to us today about how we can help you to grow your business.

BEST PRICES

We use our position as the largest UK supplier of scaffolding products to negotiate the best rates for you. We guarantee you will get the best value products and service when you hire or buy from us.

Disclaimer

Whilst Generation (UK) Ltd has taken every reasonable effort to ensure the information contained within this publication is correct and complete at the time of printing, you should be aware that there will be periodical changes and Generation (UK) Ltd does not accept any liability for any inconvenience, loss or damage caused as a result of any inaccuracy or omission within this publication.

Copyright

No unauthorised reproduction of any images, text or other matter contained herein is permitted. All rights are expressly reserved, including copyright, design right, moral and patent rights (where applicable). We reserve the right to take legal action in respect of any infringement of said rights.

Contents

Stair Protection

| | |
|---|-------|
| Examples of Stair Edge Protection Solutions | 4 |
| Newel Post | 5-8 |
| Stair Clamp..... | 9-12 |
| Landing Post..... | 13-16 |
| Stair Rail Connector | 17-20 |
| Adjustable Stair Rail Connector | 21-23 |
| Debris Guards, Landing & Stairs | 24-30 |
| EP Panels | 31-38 |

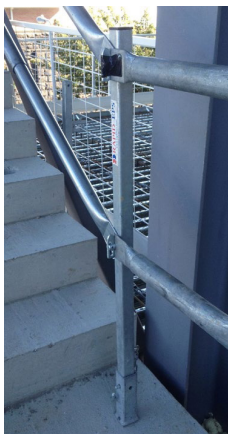
A member of



Manufactured by



EXAMPLES OF STAIR EDGE PROTECTION SOLUTIONS



NEWEL POST INSTALLATION GUIDE



450022
NEWEL POST
LEFT HAND

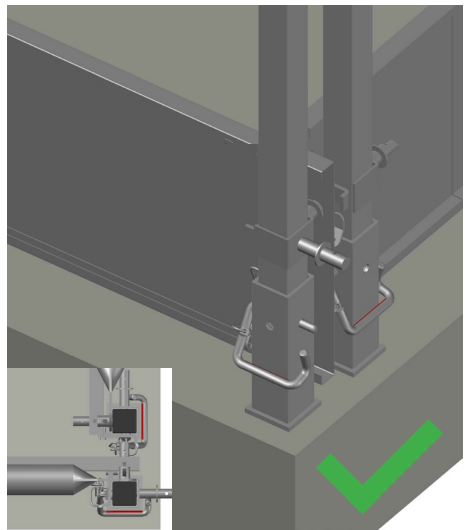
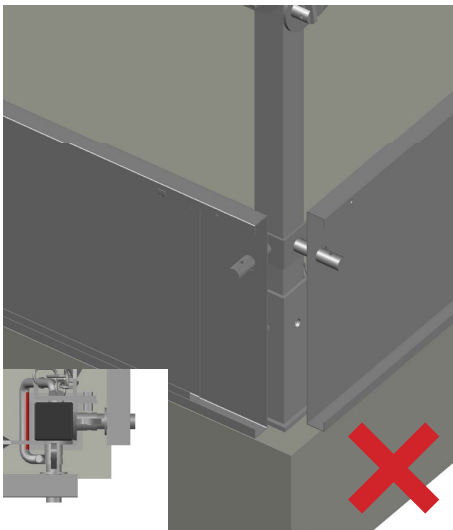
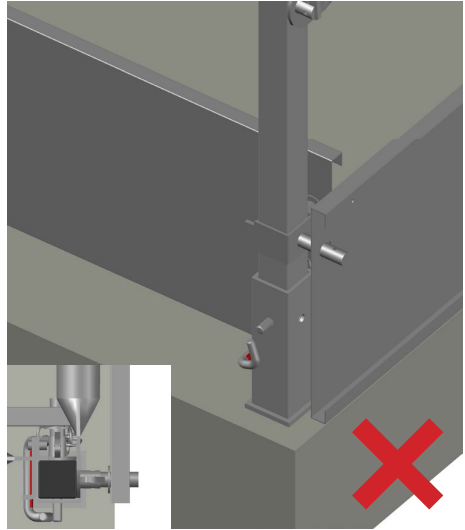
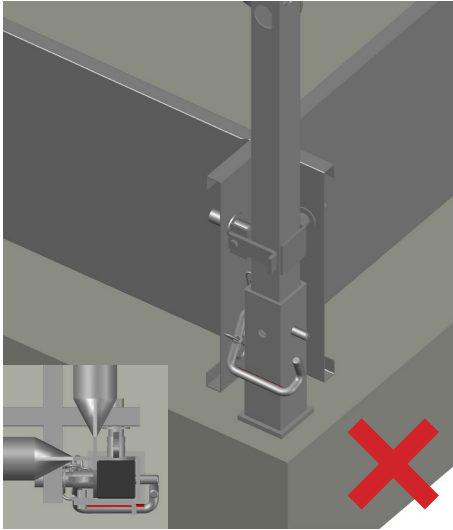


450021
NEWEL POST



450023
NEWEL POST
RIGHT HAND




NEWEL POST POSITION INSTALLATION GUIDE

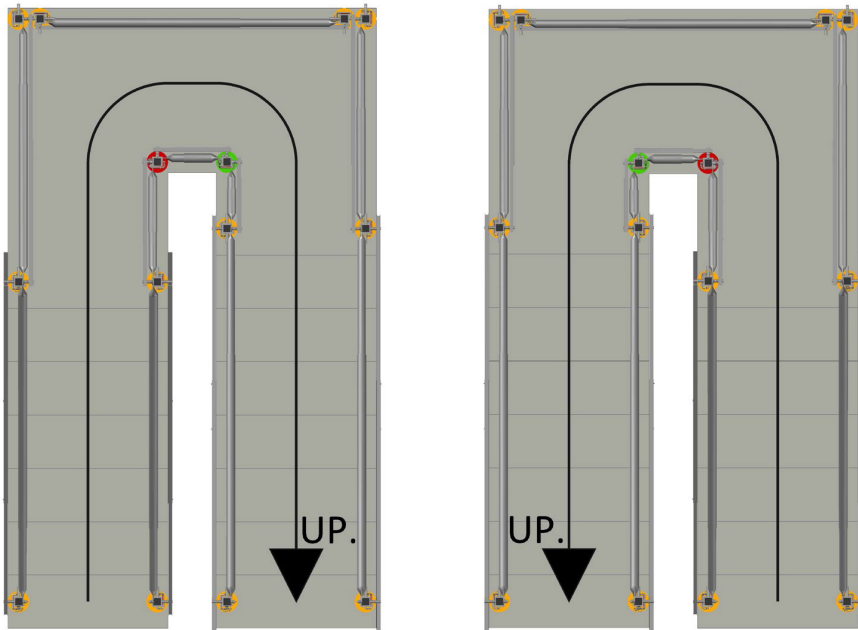


To ensure proper installation of standard newel posts, the anti-lucre fittings must face away from the external edge. On flat surfaces, handrails and debris guards must always be installed facing away from the edge.

NEWEL POST POSITION INSTALLATION GUIDE

IMPORTANT: Disassembly process must follow the instructions in reverse order. Improper installation or removal could result in serious injury or death.

-  **RIGHT HANDED NEWEL POST:** Where uppermost anti-luce fitting is facing north, lower anti-luce fitting faces west.
-  **STANDARD NEWEL POST:** All anti-luce fittings aligned.
-  **LEFT HANDED NEWEL POST:** where uppermost anti-luce fitting is facing north, lower anti-luce fitting faces east.

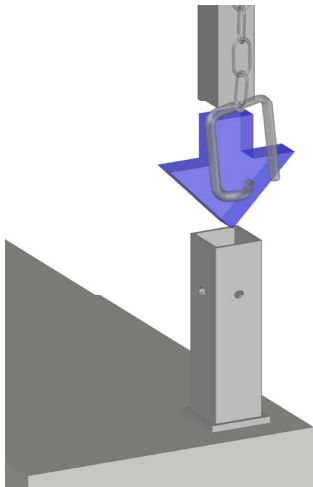


To install newel posts to internal corners, working on the left hand side of a flight, at a corner, use a right handed newel post, then alternate thereafter until back onto a straight flight.

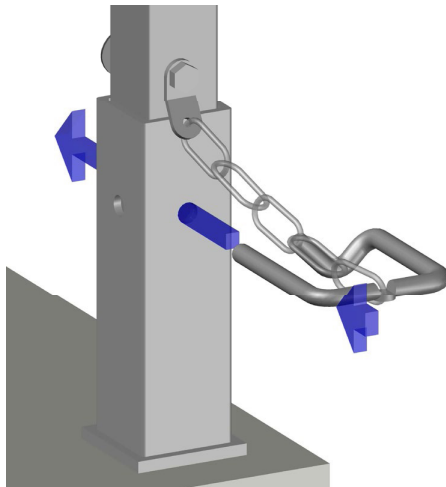
NOTE:

There may be circumstances where the guidelines above do not apply, in which case, follow the rotation guideline opposite.

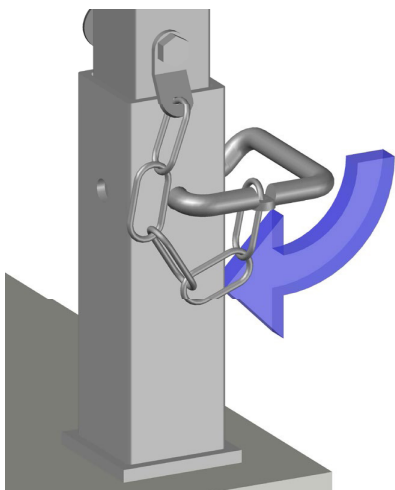
NEWEL POST INSTALLATION GUIDE



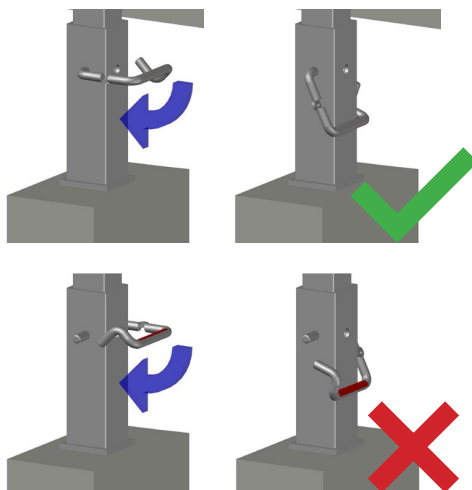
STEP 1: Place post into socket base.



STEP 2: Push pin through socket base and newel post.



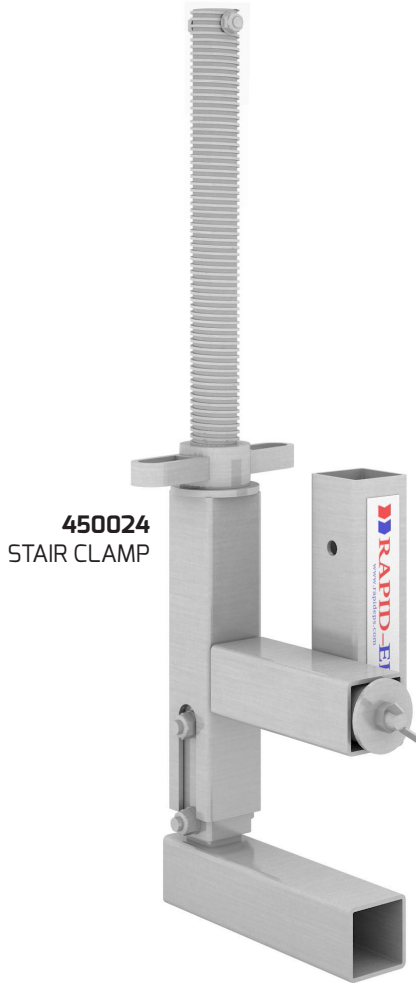
STEP 3: Rotate pin into locked position.



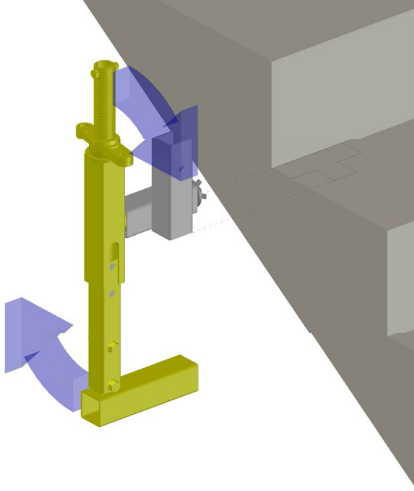
IMPORTANT NOTE: The pin has a red “lock” sticker. this stickershould be hidden when pin is correctly installed.

IMPORTANT: Disassembly process must follow the instructions in reverse order. Improper installation or removal could result in serious injury or death.

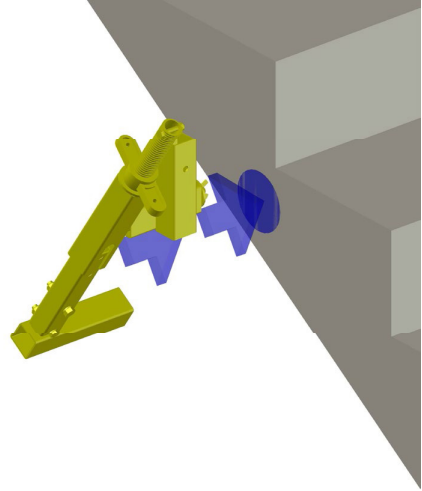
STAIR CLAMP INSTALLATION GUIDE



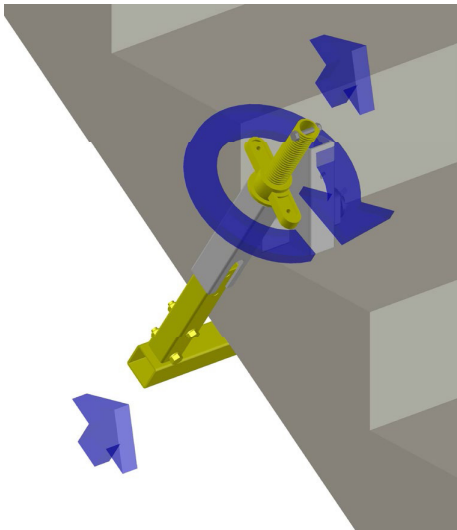
STAIR CLAMP INSTALLATION GUIDE



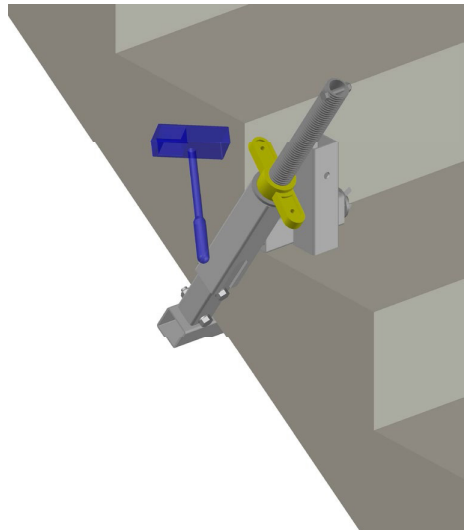
STEP 1: Rotate bracket to match stair.



STEP 2: Place bracket over stair.

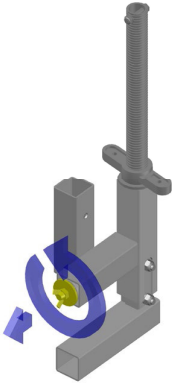


STEP 3: Tighten clamp to stair.

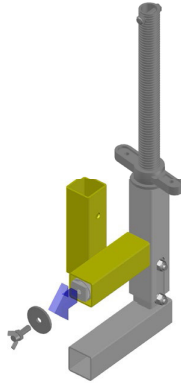


STEP 4: Strike with hammer to ensure clamp is tight.

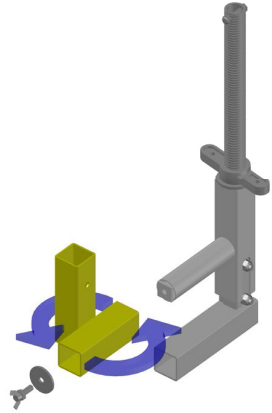
REVERSING SOCKET FOR OPPOSITE SIDE OF STAIRS



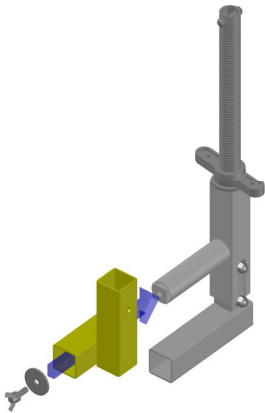
STEP 1: Remove wing bolt & washer.



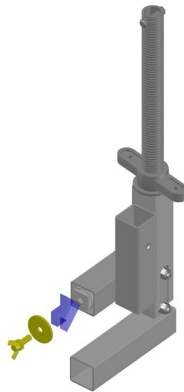
STEP 2: Remove pivoting socket base.



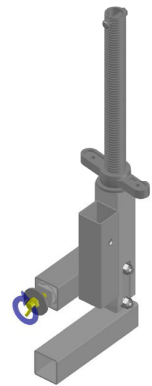
STEP 3: Turn pivoting socket base through 180°.



STEP 4: Pivoting socket base back onto clamp.

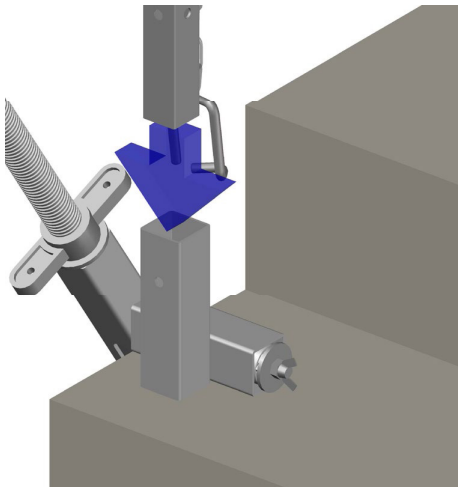


STEP 5: Replace wing nut & washer.

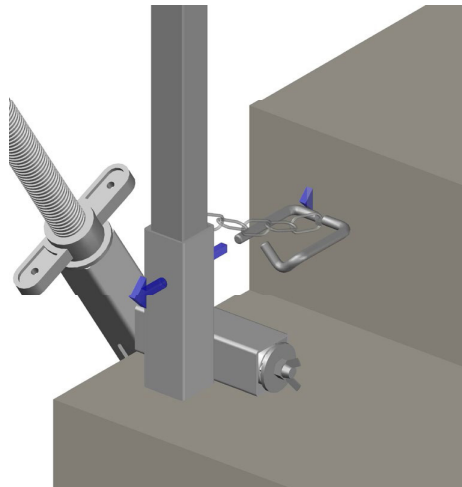


STEP 6: Replace rapid pins & tighten wing nuts.

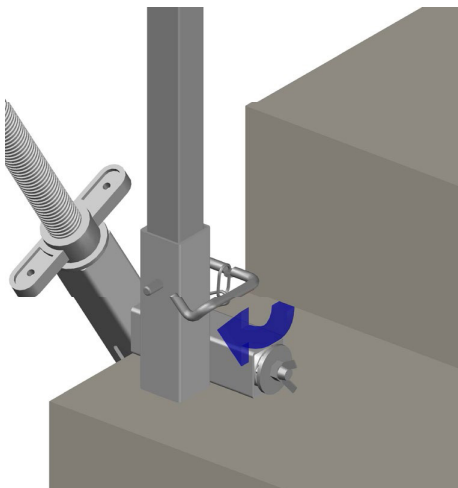
NEWEL POST INSTALLATION GUIDE



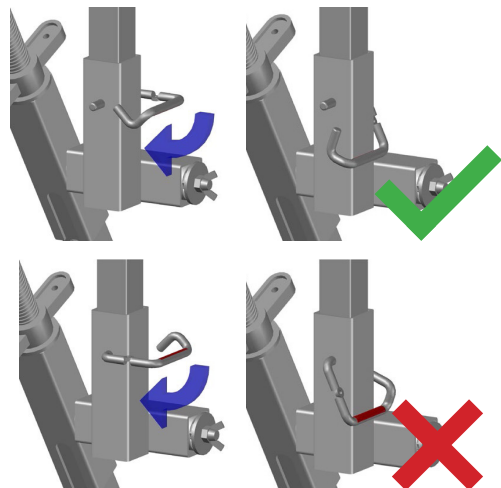
STEP 1: Place post into socket base.



STEP 2: Push pin through socket base and newel post.



STEP 3: Rotate pin into locked position.



IMPORTANT NOTE: The pin has a red “lock” sticker. this stickershould be hidden when pin is correctly installed.

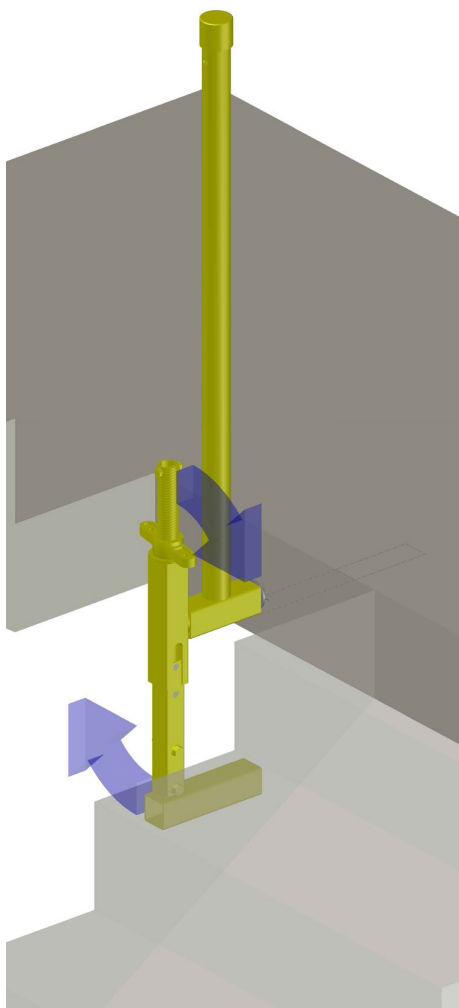
IMPORTANT: Disassembly process must follow the instructions in reverse order. Improper installation or removal could result in serious injury or death.

LANDING POST INSTALLATION GUIDE

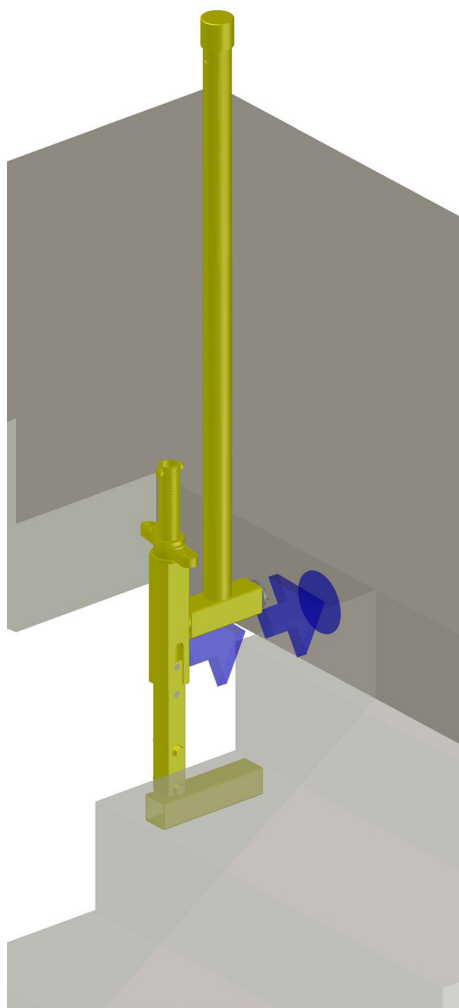
450095
LANDING POST



LANDING POST INSTALLATION GUIDE

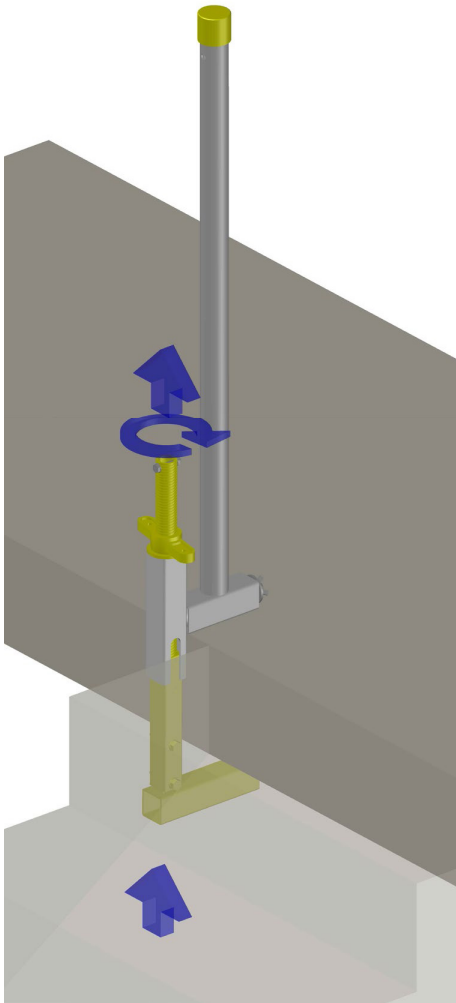


STEP 1: Rotate bracket to match slab edge.

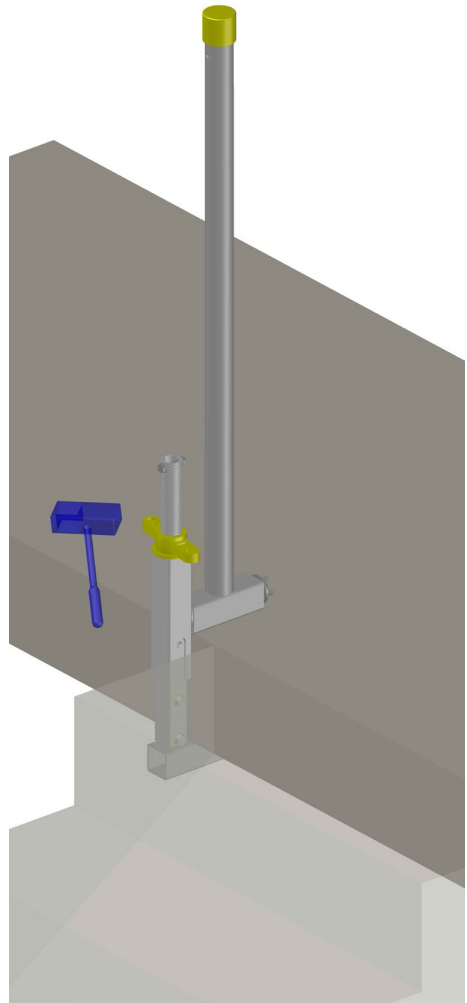


STEP 2: Place bracket over slab.

LANDING POST INSTALLATION GUIDE

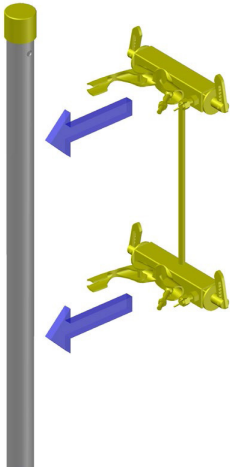


STEP 3: Tighten clamp to slab.

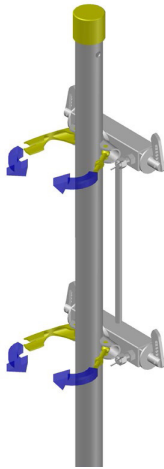


STEP 4: Strike with hammer to ensure clamp is tight.

STAIR RAIL CONNECTOR INSTALLATION GUIDE



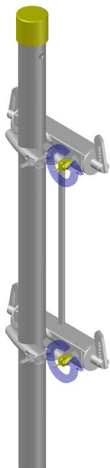
STEP 1: Place stair connector around post.



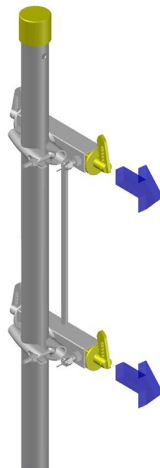
STEP 2: Close clamps around post.



STEP 3: Tighten clamp nuts.



STEP 4: Loosen wing bolts.



STEP 5: Extend arms to required length.



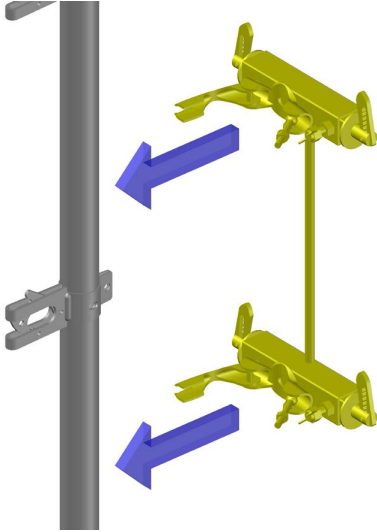
STEP 6: Tighten wing bolts.

STAIR RAIL CONNECTOR INSTALLATION GUIDE



450027
STAIR RAIL
CONNECTOR

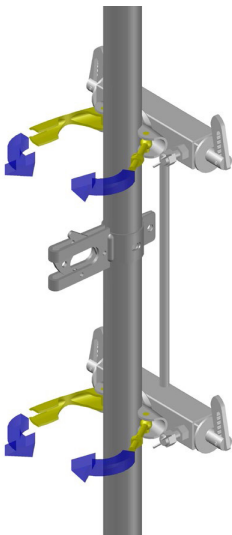
STAIR RAIL CONNECTOR INSTALLATION GUIDE



STEP 1: Place stair rail connector around post.



STEP 2: Close clamps around post.



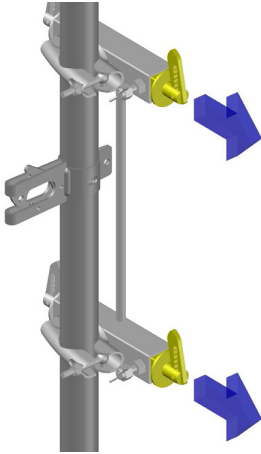
STEP 3: Tighten clamp nuts.



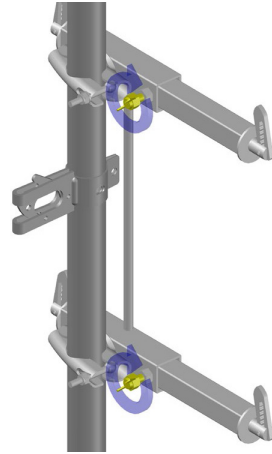
STEP 4: Loosen wing bolts.

STAIR RAIL CONNECTOR INSTALLATION GUIDE

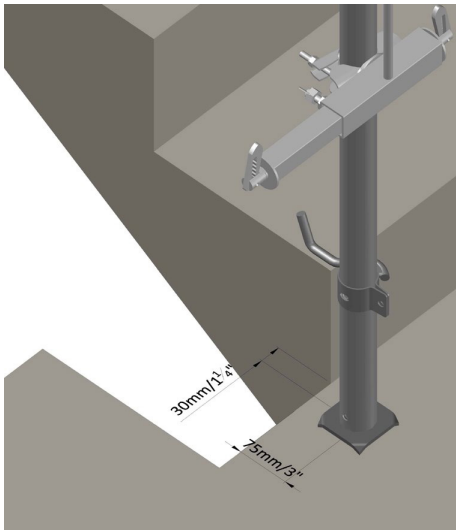
IMPORTANT: Disassembly process must follow the instructions in reverse order. Improper installation or removal could result in serious injury or death.



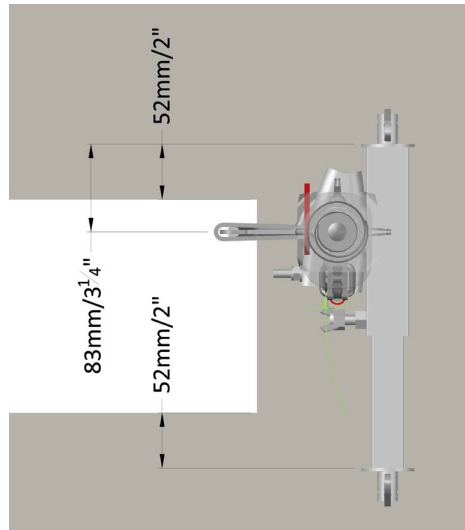
STEP 5: Extend arms to required length.



STEP 6: Tighten wing bolts.



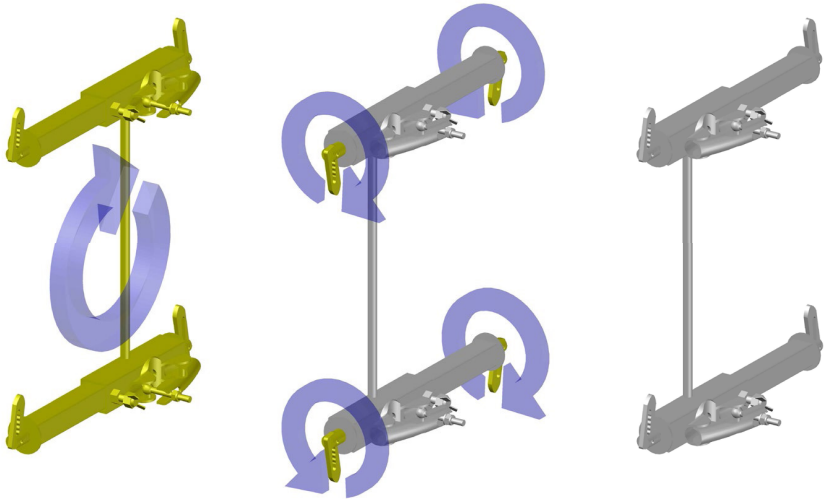
Posts should be installed a minimum of 75mm/3" back from the edge of the landing.



Position post 83mm/3¹/₄" back from intended handrail position before sliding arm out.

RAPID POST AND STAIR RAIL CONNECTOR PLACEMENT

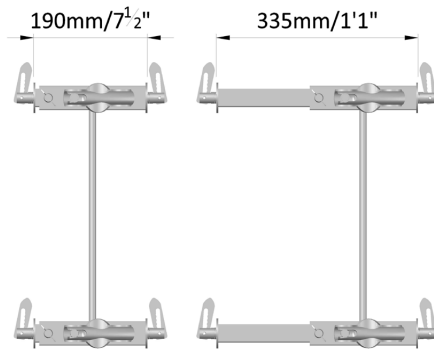
Stair rail connector can be rotated to suit left or right handed flights



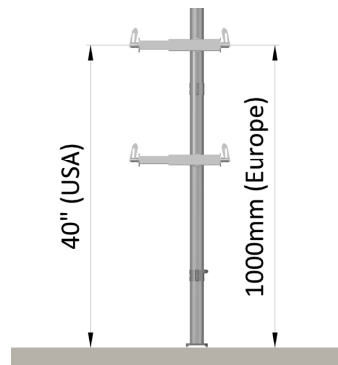
STEP 1: Place stair rail connector around post.

STEP 2: Place stair rail connector around post.

STEP 3: Place stair rail connector around post.



Stair rail connector can be extended from 190mm/7 $\frac{1}{2}$ " to 335mm/1'1".



Set center of upper handrail at 1000mm/40" high.

IMPORTANT: Disassembly process must follow the instructions in reverse order. Improper installation or removal could result in serious injury or death.

ADJUSTABLE STAIR RAILS INSTALLATION GUIDE



SR0 (450066) - 280mm/11" - 300mm / 12"



SR1 (450048) - 390mm/1'3" - 440mm/1'5"



SR2 (450055) - 440mm/1'5" - 500mm/1'8"



SR3 (450056) - 500mm/1'8" - 590mm/1'11"



SR4 (450057) - 590mm/1'11" - 720mm/2'4"



SR5 (450026) - 720mm/2'4" - 930mm/3'1"



SR6 (450049) - 930mm/3'1" - 1300mm/4'3"

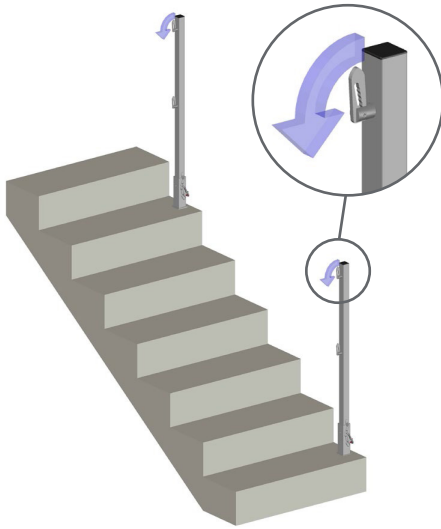


SR7 (450025) - 1300mm/4'3" - 2000mm/6'8"

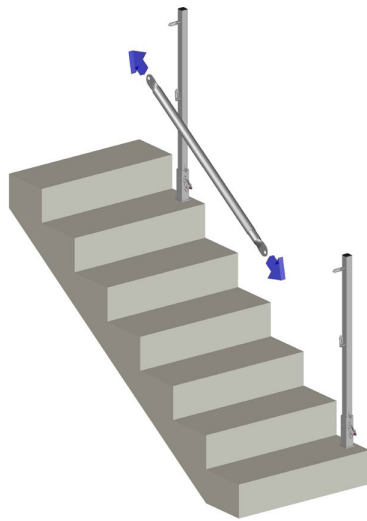


SR8 - (450050) - 1900mm/6'3" - 3000mm/9'11"

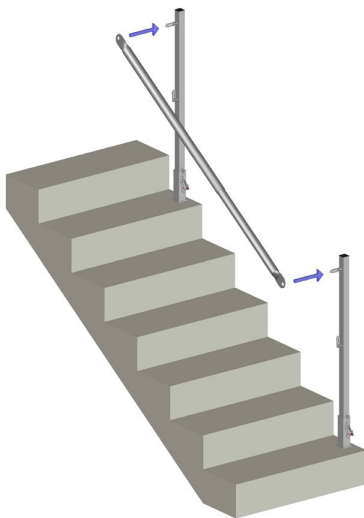
ADJUSTABLE STAIR RAILS INSTALLATION GUIDE



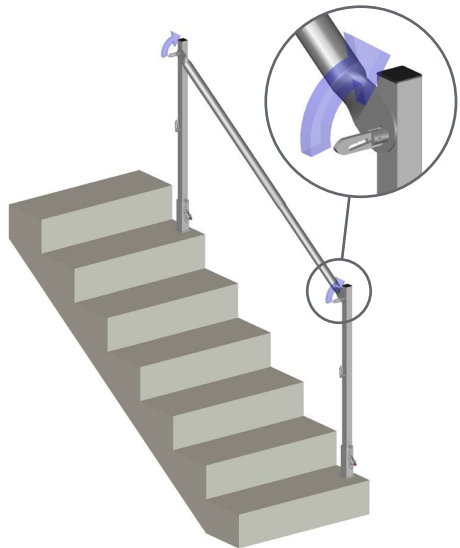
STEP 1: Open anti-luce fitting.



STEP 2: Extend handrail between newel posts.



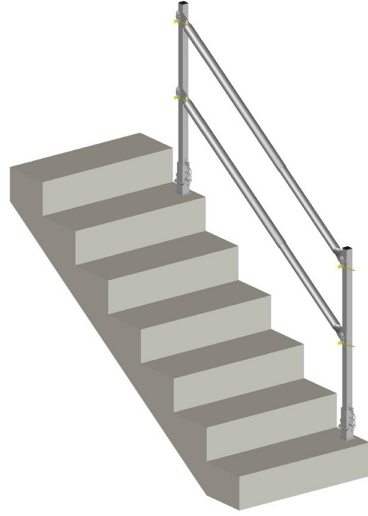
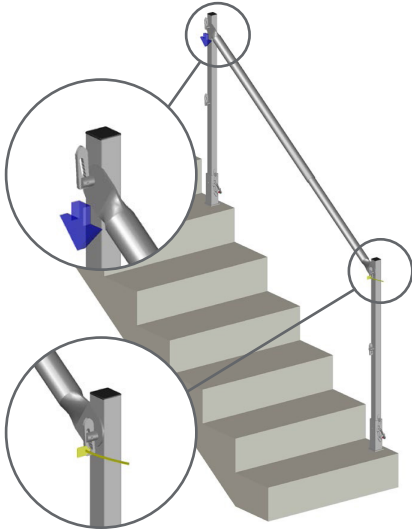
STEP 3: Place handrail over anti-luce fittings.



STEP 4: Close anti-luce fittings.

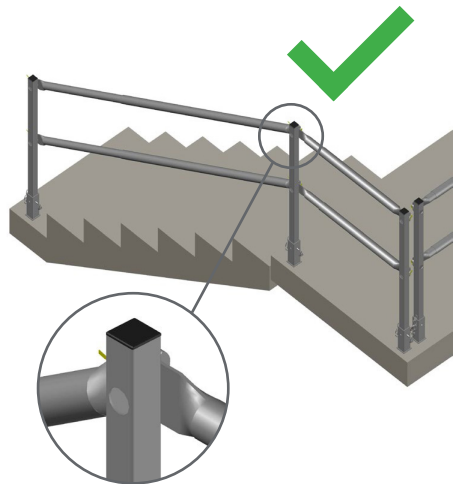
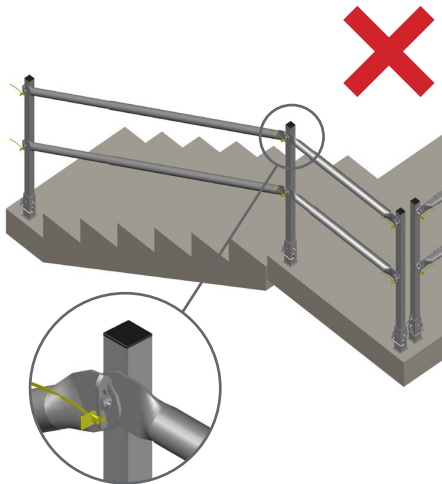
ADJUSTABLE STAIR RAILS INSTALLATION GUIDE

IMPORTANT: Disassembly process must follow the instructions in reverse order. Improper installation or removal could result in serious injury or death.



STEP 5: Secure the handrails with tie wraps through the anti-luce fittings.

STEP 6: To place lower handrail, repeat steps 1 to 5.



Handrails and panels must be secured on the inside of the staircase. Anti-luce fittings on newel posts must face into the stairs.

DEBRIS GUARDS, LANDING & STAIRS INSTALLATION GUIDE



DGL1 (450052) - 390mm/1'3" - 560mm/1'10"



DGL2 (450058) - 1'3" - 560mm/1'10" - 900mm/2'11"



DGL3 (450059) - 1'10" - 900mm/2'11" - 1580mm/5'2"



DGL4 (450060) - 1580mm/5'2" - 2890mm/9'6"



DGS1 (450046) - 1320mm/4'4" - 1960mm/6'5"

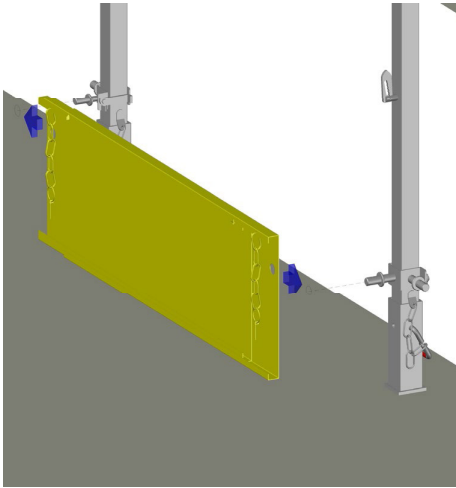


DGS2 (450038) - 1820mm/6' - 2940mm/9'8"

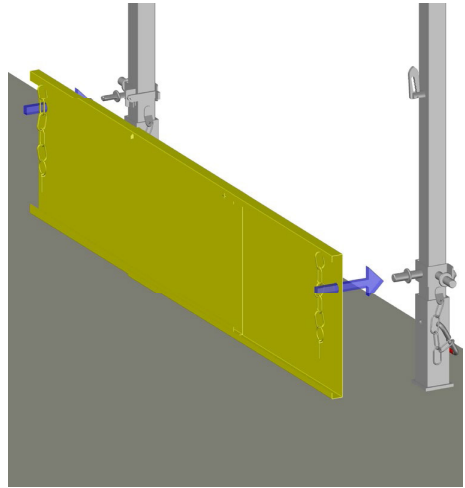


DGS3 (450042) - 2820mm/9'3" - 4940mm/16'2"

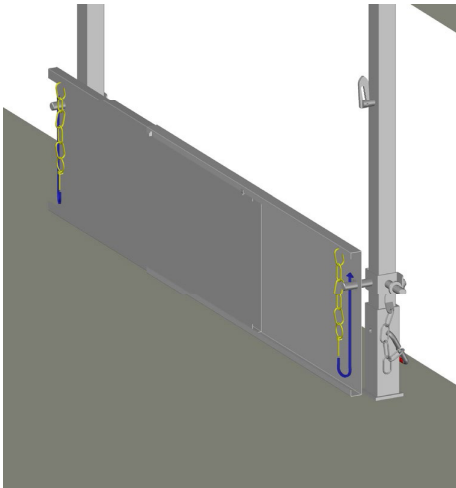
DEBRIS GUARD INSTALLATION GUIDE



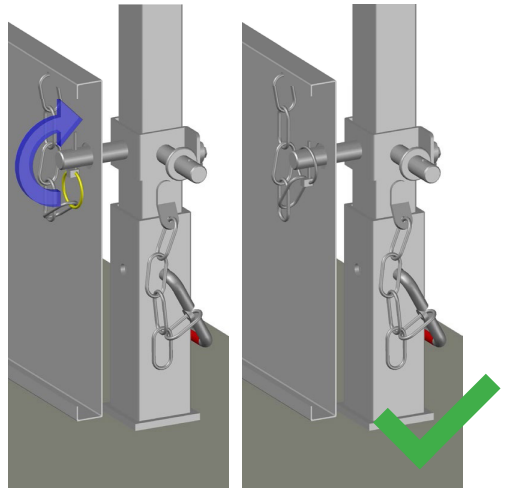
STEP 1: Extend debris guard in place.



STEP 2: Place debris guards onto debris guard connector brackets.



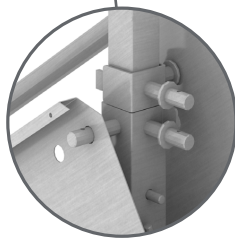
STEP 3: Place pin through hole in debris guard connector bracket.



STEP 4: Rotate sprung ring over debris guard connector bracket peg.

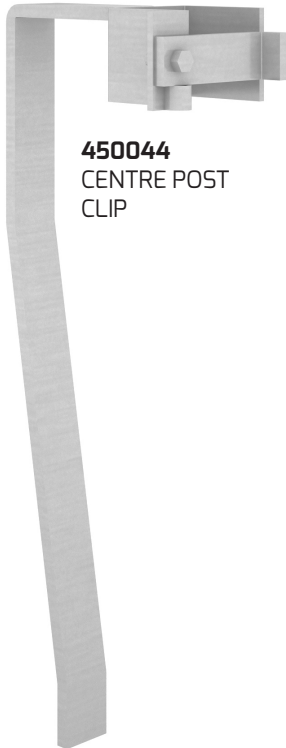
IMPORTANT: Disassembly process must follow the instructions in reverse order. Improper installation or removal could result in serious injury or death.

DEBRIS GUARD INSTALLATION GUIDE



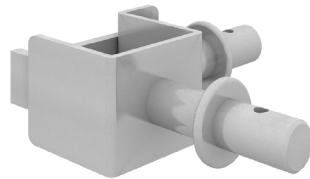
Where debris guards cover from landing to stair, 2 debris guard connector brackets are required at the junction newel post.

DEBRIS GUARD CONNECTOR BRACKET / CENTER POST CLIP INST. GUIDE

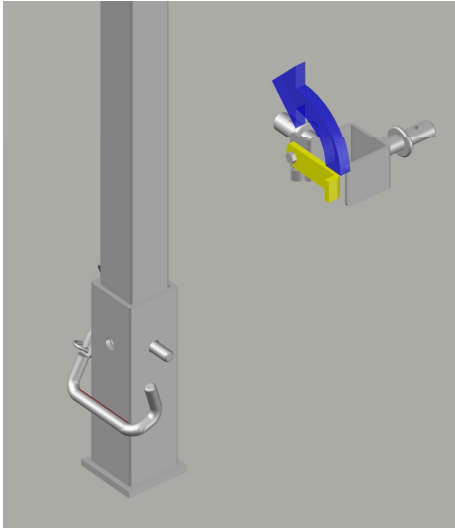


450044
CENTRE POST
CLIP

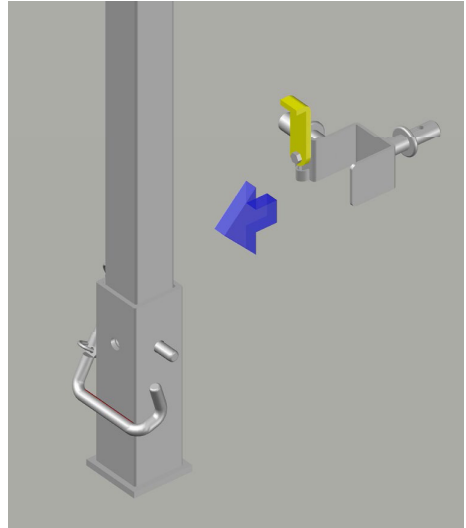
450045
DEBRIS GUARD
CONNECTOR
BRACKET



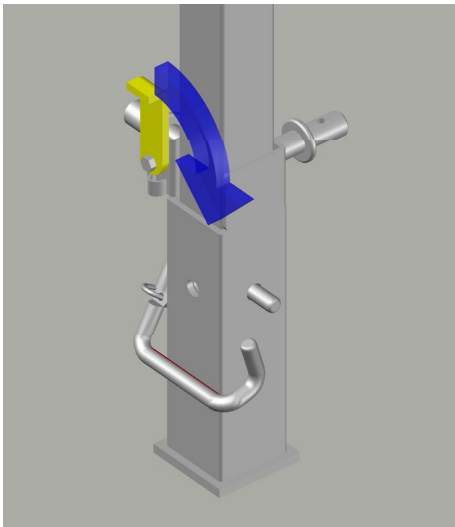
DEBRIS GUARD BRACKET INSTALLATION GUIDE



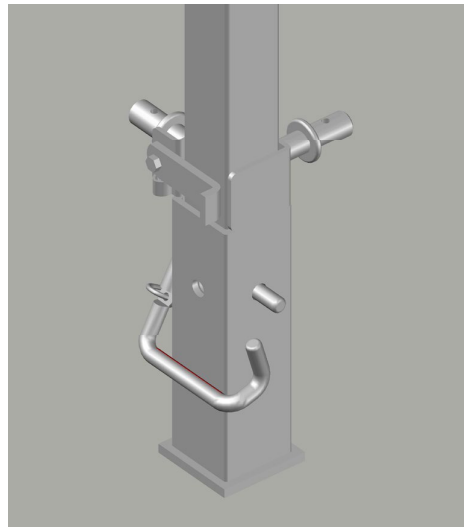
STEP 1: Open “gate” on debris guard connector bracket.



STEP 2: Place debris guard connector bracket over newel post.

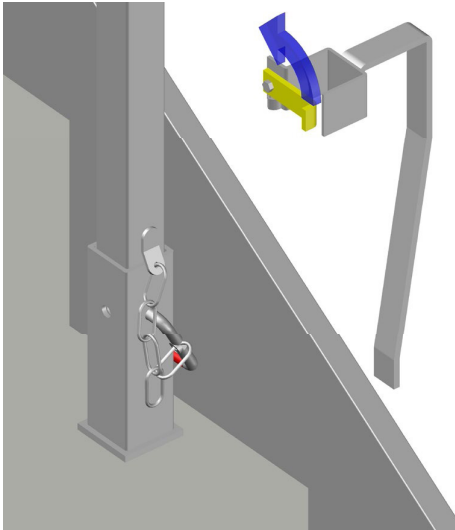


STEP 3: Close “gate” on debris guard connector bracket.

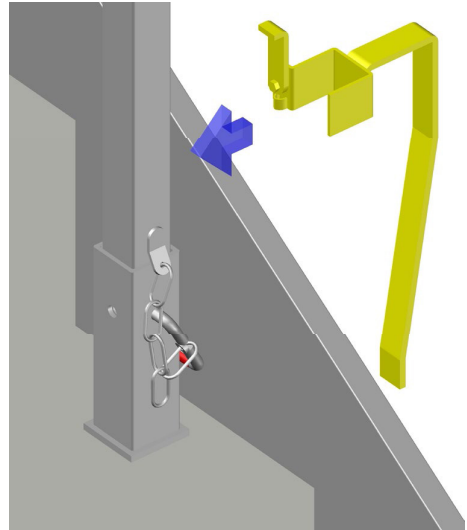


STEP 4: Bracket ready to accept debris guards.

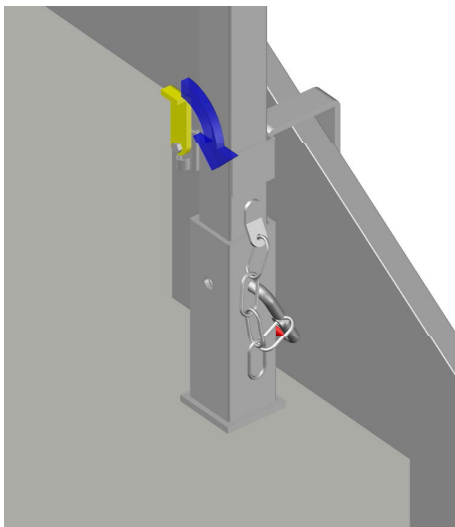
CENTRE POST CLIP INSTALLATION GUIDE



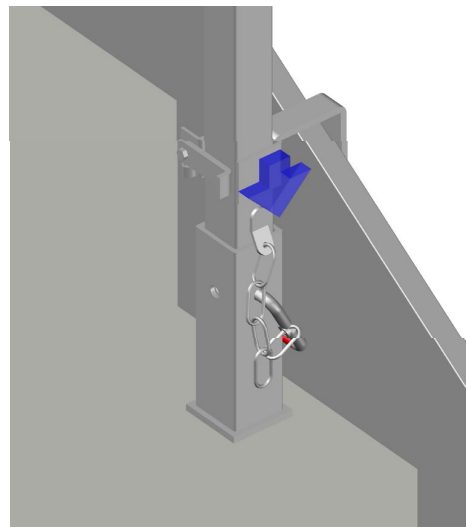
STEP 1: Open "gate" on centre post clip.



STEP 2: Place centre post clip over newel post.

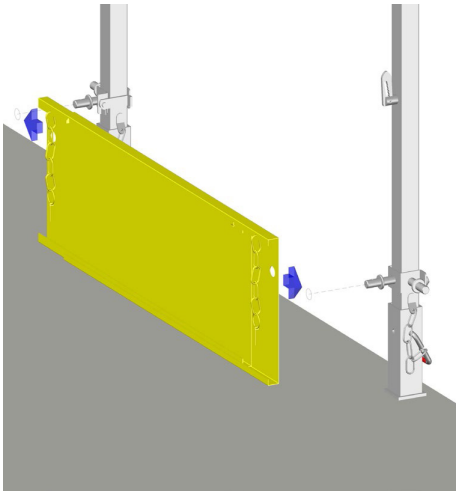


STEP 3: Close "gate" on centre post clip.

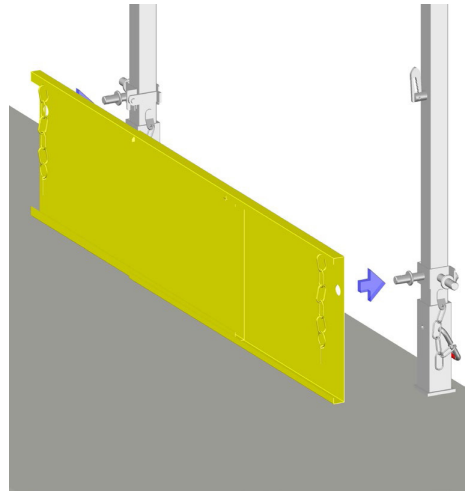


STEP 4: Slide centre post clip down to touch stair debris guard.

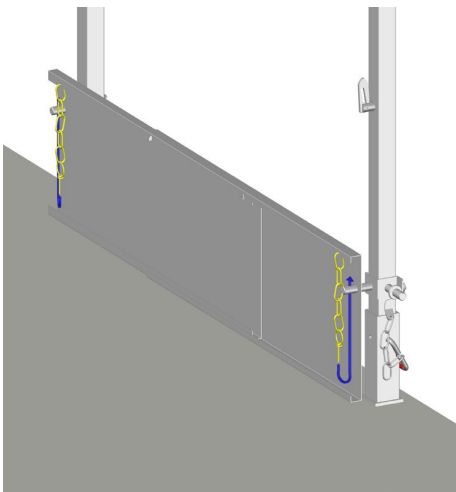
DEBRIS GUARD INSTALLATION GUIDE



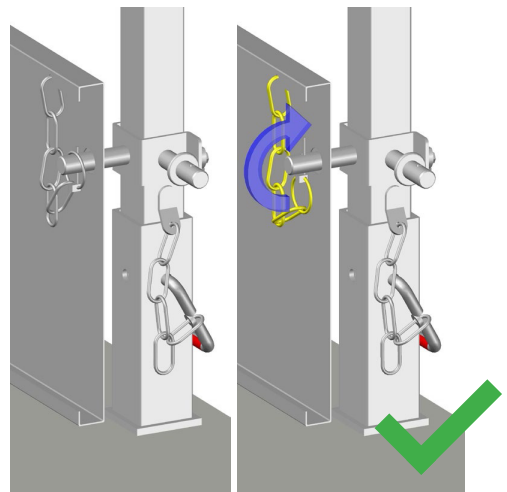
STEP 1: Extend debris guard in place.



STEP 2: Place debris guards onto debris guard connector brackets.



STEP 3: Place pin through hole in debris guard connector bracket.

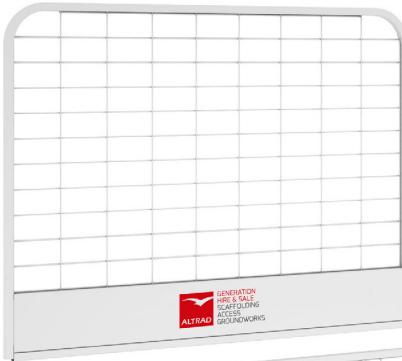


STEP 4: Rotate sprung ring over debris guard connector bracket peg.

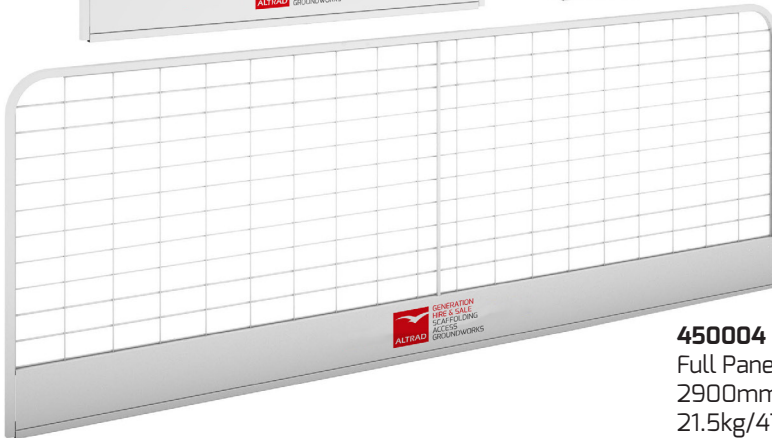
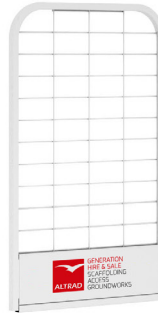
IMPORTANT: Disassembly process must follow the instructions in reverse order. Improper installation or removal could result in serious injury or death.

EP PANELS INSTALLATION GUIDE

450006
Half Panel
1400mm/4'7"
12kg/26.5lbs



450064
Quarter panel
655mm/2'2"
9.5kgs/21lbs

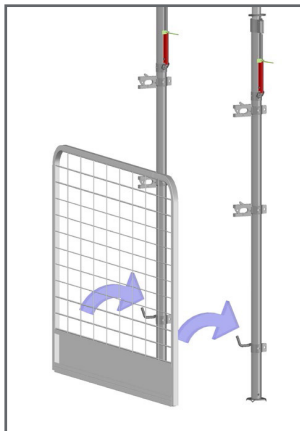


450004
Full Panel
2900mm/9'6"
21.5kg/47lbs

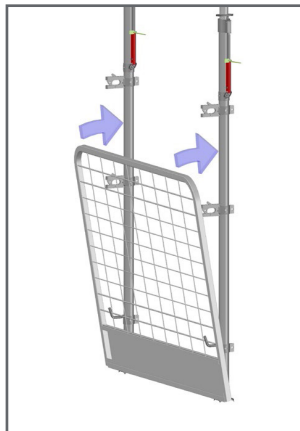
SINGLE PANEL INSTALLATION GUIDE

For double height panels or higher, please see overleaf.

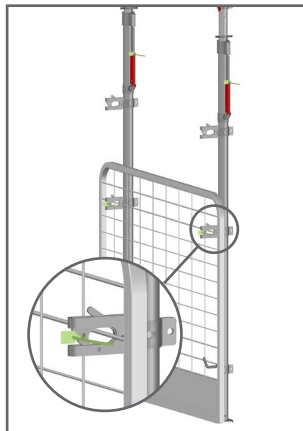
Panel placement : RAPID-POST & EXTRA



STEP 1: Place bottom of panel on to low hook.

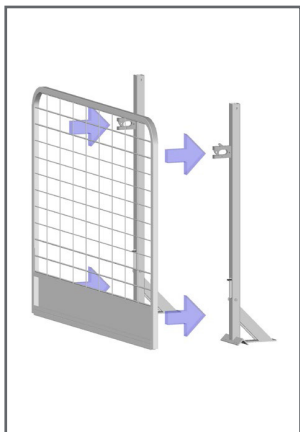


STEP 2: Place top of panel into latch.

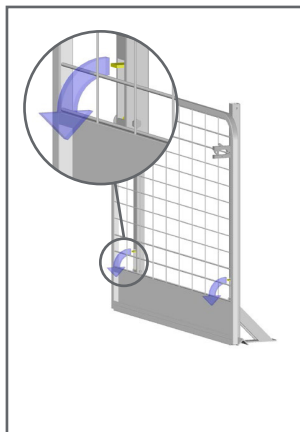


STEP 3: Secure latch with zip-tag (Optional).

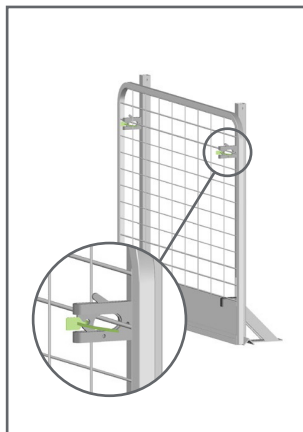
Panel placement : DUAL PURPOSE STAND



STEP 1: Place panel into latch.



STEP 2: Drop post hook over bottom of panel.

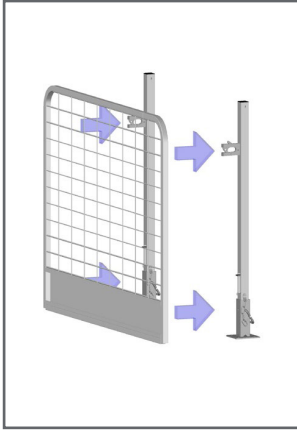


STEP 3: Secure latch with zip-tag (Optional).

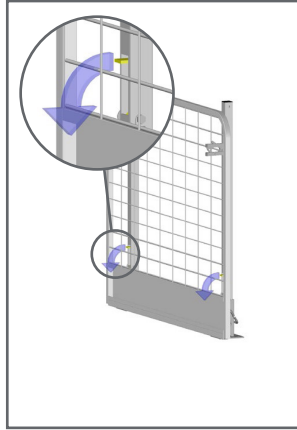
SINGLE PANEL INSTALLATION GUIDE

IMPORTANT: Disassembly process must follow the instructions in reverse order. Improper installation or removal could result in serious injury or death.

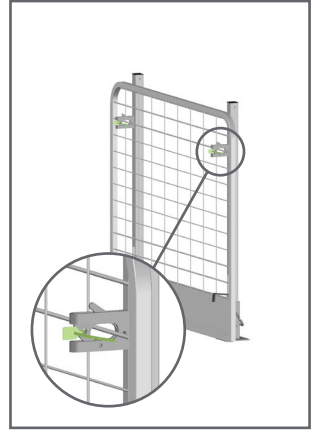
Panel placement : STANDARD SUPPORT POST



STEP 1: Place panel into latch.

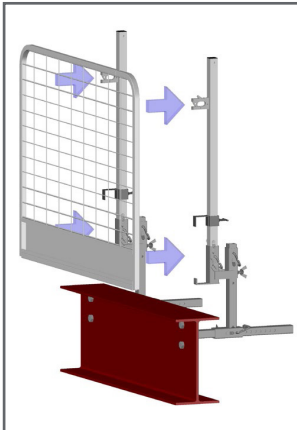


STEP 2: Drop post hook over bottom of panel.

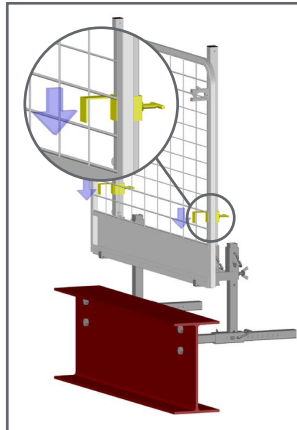


STEP 3: Secure latch with zip-tag (Optional).

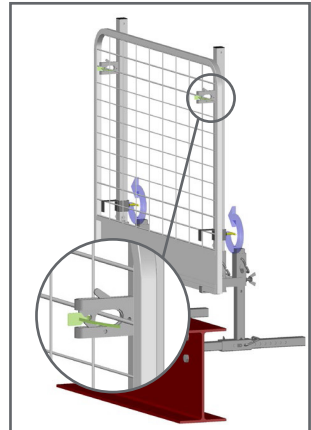
Panel placement : STEEL FRAME POST



STEP 1: Place panel into latch.

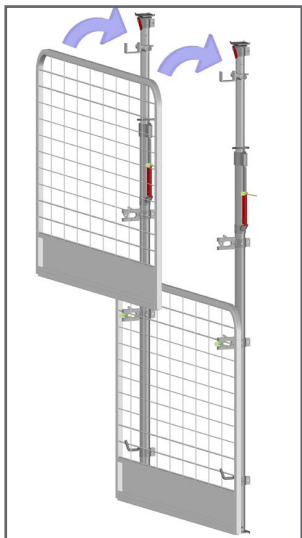


STEP 2: Lower post hook over panel.

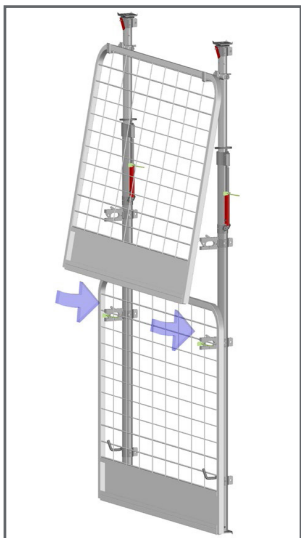


STEP 3: Secure latch with zip-tag (Optional).

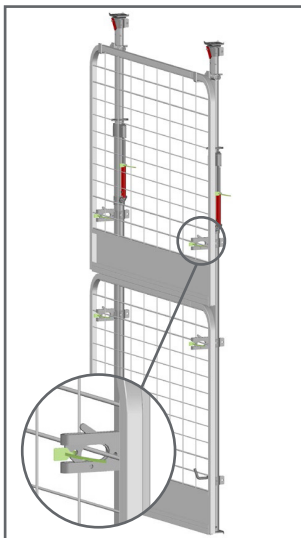
DOUBLE HEIGHT INSTALLATION GUIDE



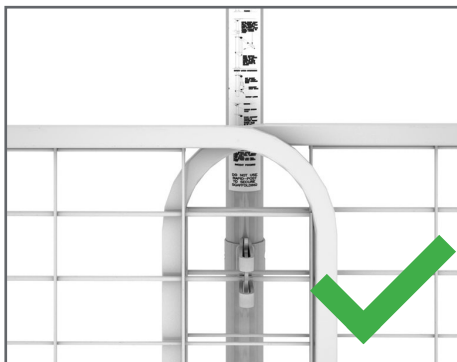
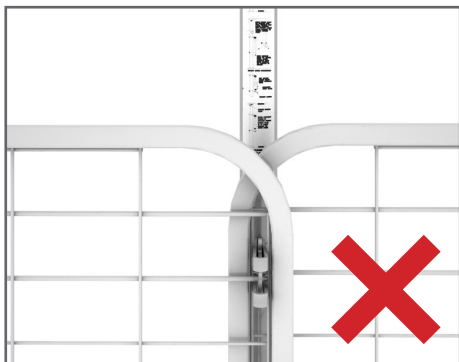
STEP 1: Place top of panel on to high hook.



STEP 2: Place bottom of panel in to latch.



STEP 3: Secure latch with zip-tag (Optional).

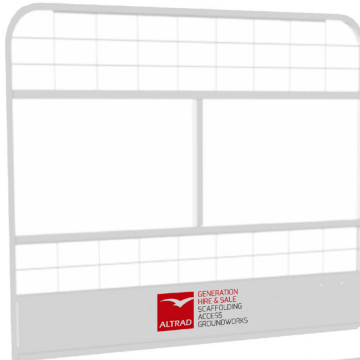


Panels **MUST** overlap by 1 full mesh aperture with maximum 2700mm/9'0" centres. (full panel).

IMPORTANT: Disassembly process must follow the instructions in reverse order.
Improper installation or removal could result in serious injury or death.

EP WORK THROUGH PANELS INSTALLATION GUIDE

450121
Half Panel
1400mm/4'7"
13.5kgs/29.76lbs



450111
Full Panel
2900mm/9'6"
26.5kgs/58.4lbs

SINGLE PANEL INSTALLATION GUIDE

For double height panels or higher, please see overleaf.

Panel placement : RAPID-POST & EXTRA



STEP 1: Place bottom of panel on to low hook.

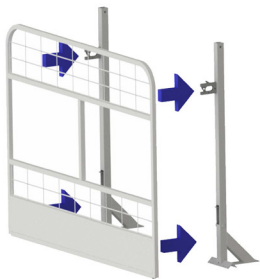


STEP 2: Place top of panel into latch.

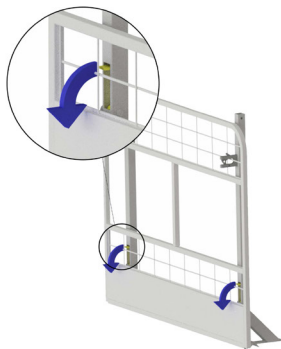


STEP 3: Secure latch with Zip-Tag. (Optional)

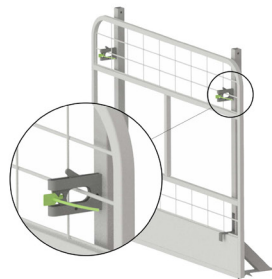
Panel placement : DUAL PURPOSE STAND



STEP 1: Place panel into latch.



STEP 2: Drop post hook over bottom of panel.

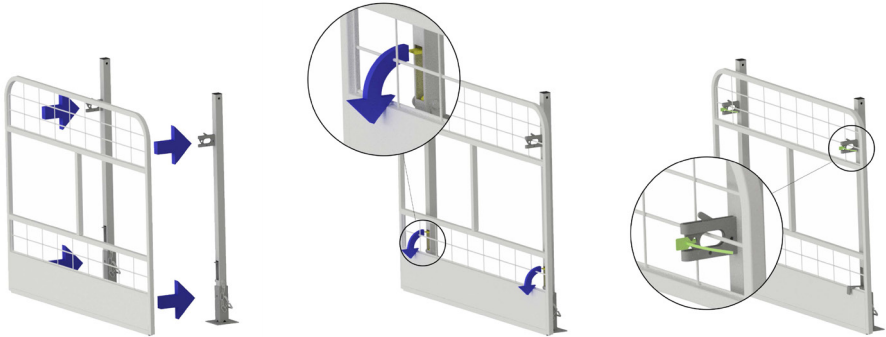


STEP 1: Secure latch with Zip-Tag. (Optional)

SINGLE PANEL INSTALLATION GUIDE

IMPORTANT: disassembly process must follow the instructions in reverse order.
improper installation or removal could result in serious injury or death.

Panel placement : STANDARD SUPPORT POST

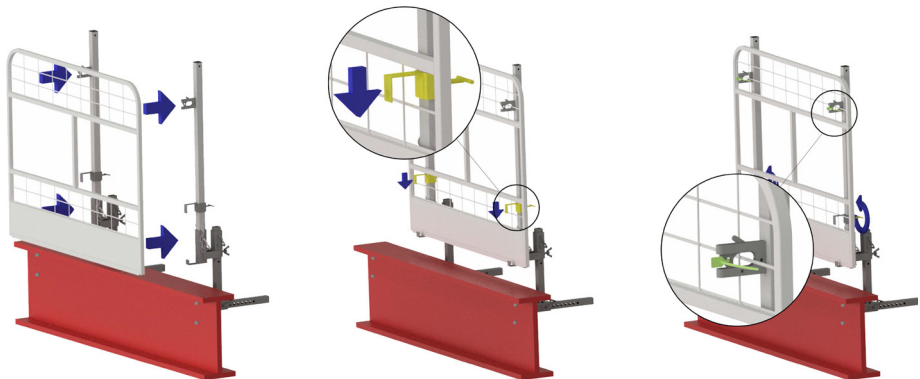


STEP 1: Place panel into latch.

STEP 2: Drop post hook over bottom of panel.

STEP 3: Secure latch with Zip-Tag. (Optional)

Panel placement : STEEL FRAME POST



STEP 1: Place panel into latch.

STEP 2: Lower post hook over panel.

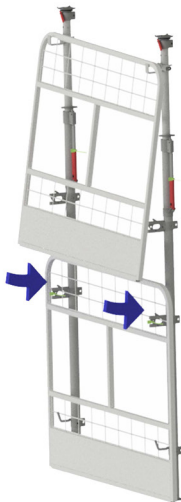
STEP 1: Secure latch with Zip-Tag. (Optional)

DOUBLE HEIGHT INSTALLATION GUIDE

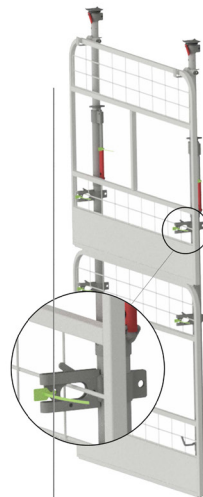
For double height or higher, ep latches and ep clamps must first be installed on rapid posts, see rapid latch and rapid clamp installation guide.



STEP 1: Place top of panel on to hook.

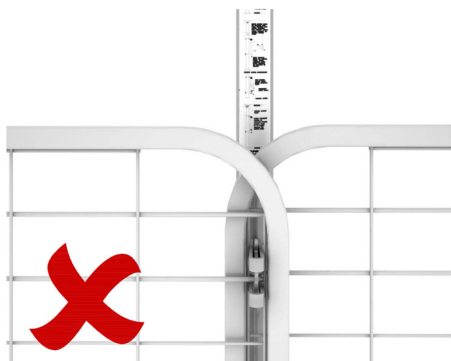


STEP 2: Place bottom of panel in to latch.



STEP 3: Secure latch with Zip-Tag. (Optional)

Panel Continuation : OVERLAP



Hire and Sale Branches Freephone:

0800 779 7113**Birmingham (West)**

Trinity Street Off Tat Bank Road,
Oldbury, West Midlands, B69 4LA
T: 0121 544 3355 F: 0121 544 3131
E: birmingham@generationuk.co.uk

Birmingham (East) G

87-93 Amington Road, Birmingham,
West Midlands, B25 8ET
T: 0121 706 0000 F: 0121 706 9832
E: birminghameast@generationuk.co.uk

Bristol

Unit 7, 12-16 Foundry Lane, Fishponds,
Bristol, B5 7UE
T: 0117 972 4550 F: 0117 972 4502
E: bristol@generationuk.co.uk

Cardiff

Martin Road, Tremorfa Industrial Estate
Cardiff, CF24 5SD
T: 029 2046 3835 F: 029 2046 3246
E: cardiff@generationuk.co.uk

Edinburgh

4 Westerton Road,
East Mains Industrial Estate, Broxburn,
West Lothian, EH52 5AU
T: 01506 863 864 F: 01506 863 916
E: edinburgh@generationuk.co.uk

Frimley (West London)

22-30 Sturt Road, Frimley Green
Camberley, GU16 6HY
T: 01252 838 696 F: 01252 837 614
E: frimley@generationuk.co.uk

Gateshead G

Stoneygate Lane, Abbotsford Road,
Felling, Gateshead, NE10 0EX
T: 0191 469 7504 F: 0191 469 8237
E: gateshead@generationuk.co.uk

Glasgow

Duchess Road, Rutherglen
Glasgow, G73 1AU
T: 0141 647 6969 F: 0141 647 5851
E: glasgow@generationuk.co.uk

Grays G

Europa Business Park, Magnet Road,
Grays, Essex, RM20 4DB
T: 01375 312 120 F: 01375 386 844
E: grays@generationuk.co.uk

Leeds

Unit 2 Ledger Park, Haigh Park Road,
Stourton, Leeds LS10 1RT
T: 0113 277 8822 F: 0113 277 7545
E: leeds@generationuk.co.uk

London (East)

Unit H, Hangman's Wood Ind Park,
Stifford Road, South Ockendon,
Essex, RM15 6RL
T: 020 7473 6056 F: 01708 858 493
E: london@generationuk.co.uk

Newcastle

Forward House, Portobello Road
Portobello Industrial Estate, Birtley,
Tyne and Wear, DH3 2SN
T: 0191 492 1190 F: 0191 411 1148
E: newcastle@generationuk.co.uk

Northampton

Kingsfield Way, Dallington,
Northampton, NN5 7QN
T: 01604 580 444 F: 01604 580 487
E: northampton@generationuk.co.uk

Salsburgh G

Duntilland Road, Shotts, Salsburgh,
North Lanarkshire, ML7 4NZ
T: 01698 870 200 F: 01698 870 159
E: salsburgh@generationuk.co.uk

Stockport

Unit 4 Vauxhall Industrial Estate,
Greg Street, Reddish,
Stockport, SK5 7BR
T: 0161 477 0131 F: 0161 477 7618
E: stockport@generationuk.co.uk

West Thurrock (East London)

4 Riverside Ind. Park, Oliver Road,
West Thurrock, RM20 3ED
T: 020 7476 4760 F: 020 7476 3157
E: westthurrock@generationuk.co.uk

Widnes G

Pitt Street, West Bank, Widnes,
Cheshire, WA8 0TG
T: 0151 420 3331 F: 0151 495 2298
E: widnes@generationuk.co.uk

Altrad Training Services

Unit 20B Greens Industrial Park,
Calder Vale Road, Wakefield, WF1 5PH
T: 01924 370 640 F: 01924 377 530
Freephone: 0800 587 5224
E: training@altraduk.co.uk

Generation Export

Trinity Street, Off Tat Bank Road
Oldbury, West Midlands, B69 4LA
T: +44 (0) 121 543 2964
E: export@generationuk.co.uk

Generation UK Head Office

Trinity Street, Off Tat Bank Road
Oldbury, West Midlands, B69 4LA
T: 0121 543 2950 F: 0121 543 2953
E: enquiries@generationuk.co.uk

G GROUNDWORKS

GENERATION UK Ltd
Generation Head Office, Trinity Street, Off Tat Bank Road, Oldbury, West Midlands, B69 4LA - United Kingdom
Tel. 0121 543 2950 - Fax. 0121 543 2953 - enquiries@generationuk.co.uk
www.generationuk.co.uk